

Otto Bock[®]

QUALITY FOR LIFE

Ersatzteilekatalog Nurmi
Spare Parts Catalog Nurmi



Bitte geben Sie bei allen Ersatzteilbestellungen die folgenden Grunddaten an, um eine reibungslose Lieferung zu gewährleisten:

- 1) Serien-Nr. des Produktes
- 2) Rahmenbreite
- 3) Rahmenfarbe

When ordering spare parts, please always indicate the following basic data to ensure smooth delivery:

- 1) Serial no. of the product
- 2) Frame width
- 3) Frame colour

Materialkennzeichen, die am Ende der Materialnummer mit (xxx) gekennzeichnet sind, müssen mit einem Rahmenfarbcode vervollständigt werden.

Article numbers which have (xxx) at the end must be completed with a code number for the frame colour.

Inhalt

	Seite
Rahmenfarben	4. Umschlagseite
Stichwortverzeichnis	2
Modellidentifikation	3-5
Baugruppenübersicht	6-20
Ersatzteile für Zubehör	21-30

Contents

	Page
Frame colours	4 th cover page
Index	31
Model identification	32-34
Component group overview	35-49
Spare parts for accessories	50-59

Otto Bock®

QUALITY FOR LIFE

Hersteller/Manufacturer:
Otto Bock HealthCare GmbH
Rehabilitation & Pflege
Max-Näder-Straße 15-D-37115 Duderstadt
National: Tel. (05527) 848 1461-63
Fax (05527) 848 14 60
International: Tel. +49-55 27-848-1304/1562/1590/1594/3663
Fax +49-55 27-848-1676
e-mail: reha@ottobock.de · Internet: <http://www.ottobock.com>



Otto Bock has been certified by the German Society for the Certification of Quality Assurance Systems (DQS) in accordance with DIN EN ISO 9001 standard, reg. No. 779 (management system)

A

Anterior frame	35-36
Anti-tipper	53

C

Caster swivel lock	54
--------------------------	----

F

Folding mechanism	38
Friction brake	55
Front wheels	42-47

G

Gluteal support	52
Grip bar	39-41
Grip with hand plate	58

P

Pelvic supports	50
Posterior frame	37

R

Rear wheels	48-49
-------------------	-------

S

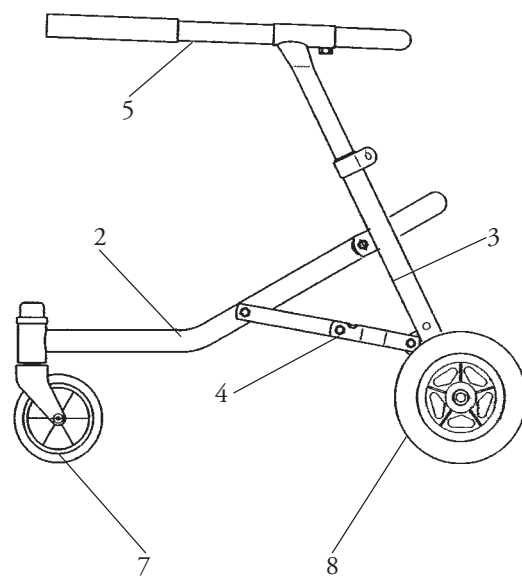
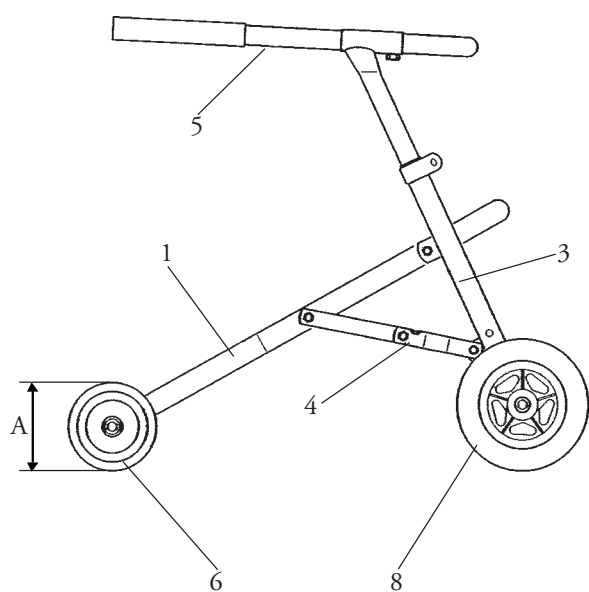
Seat	56
Storage basket	59

U

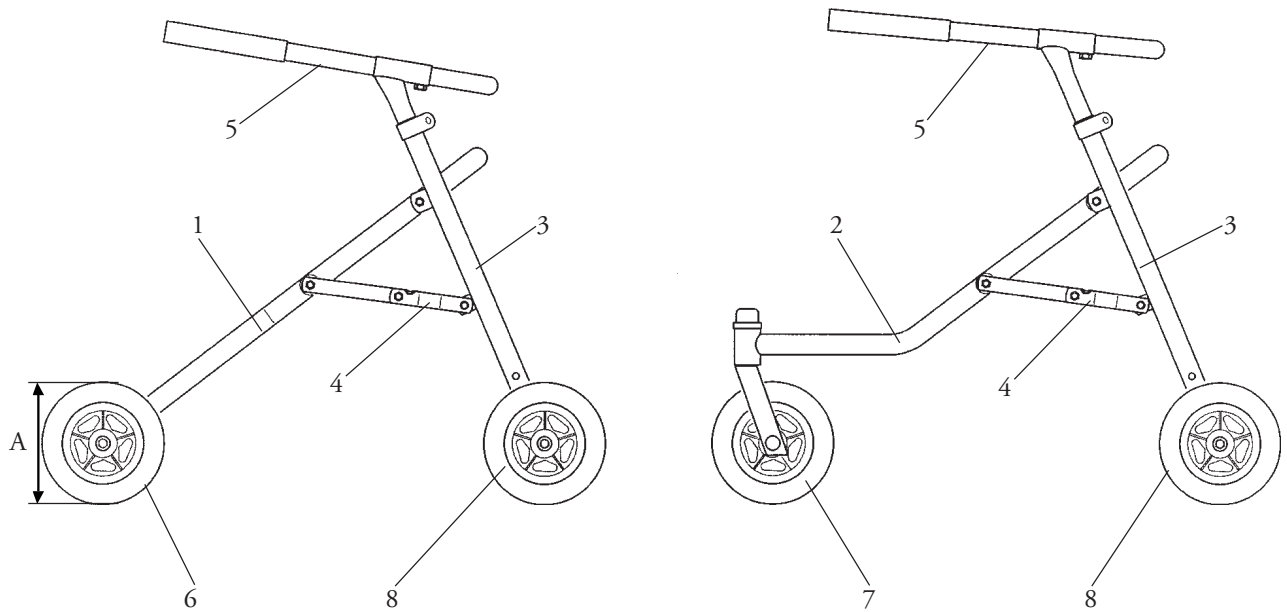
Universal grips	57
-----------------------	----

W

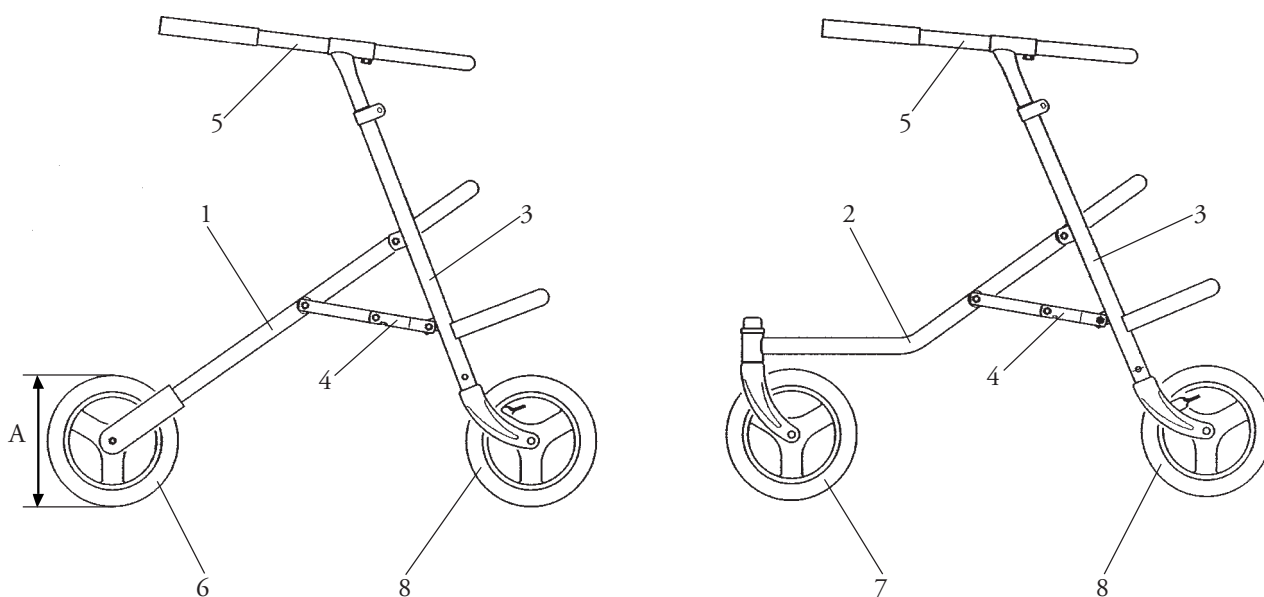
Wheel lock	51
------------------	----



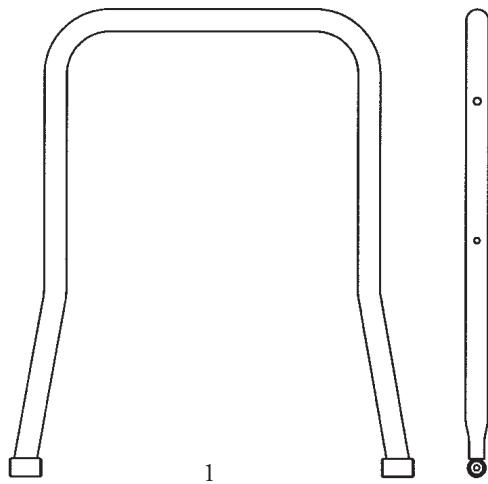
Item	Component group	Page
A	Model size 1 Front wheel diameter 100mm	
1	Anterior frame, rigid	35
2	Anterior frame, swiveled	36
3	Posterior frame	37
4	Folding mechanism	38
5	Grip bar	39-41
6	Front wheels, rigid	42
7	Front wheels, swiveled	45
8	Rear wheels	48



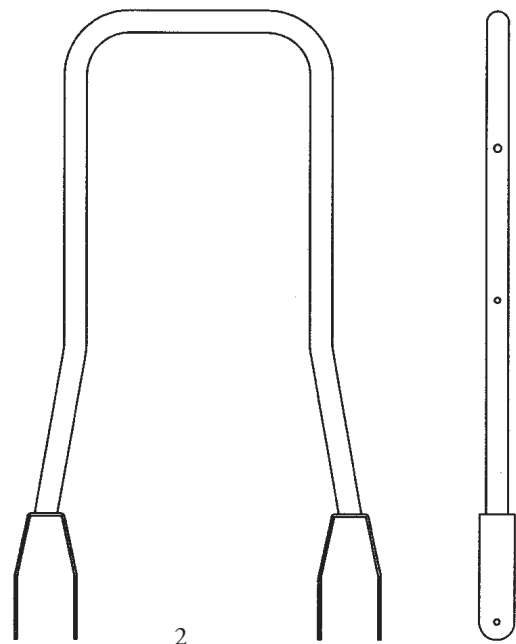
Item	Component group	Page
A	Model size 2 Front wheel diameter 150mm	
1	Anterior frame, rigid	35
2	Anterior frame, swiveled	36
3	Posterior frame	37
4	Folding mechanism	38
5	Grip bar	39-41
6	Front wheels, rigid	43
7	Front wheels, swiveled	46
8	Rear wheels	48



Item	Component group	Page
A	Model size 3 Front wheel diameter 200mm	
1	Anterior frame, rigid	35
2	Anterior frame, swiveled	36
3	Posterior frame	37
4	Folding mechanism	38
5	Grip bar	39-41
6	Front wheels, rigid	44
7	Front wheels, swiveled	47
8	Rear wheels	49



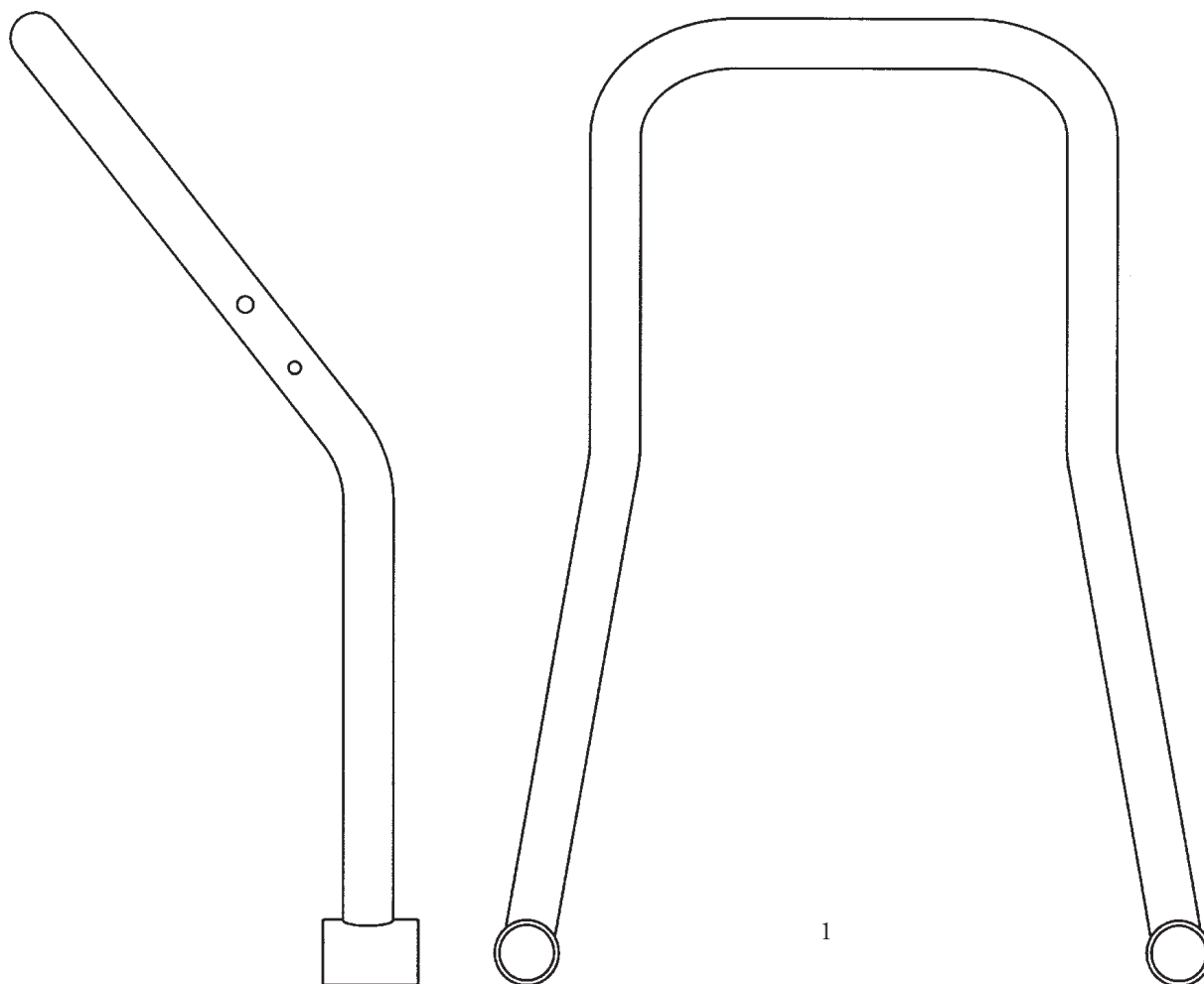
1



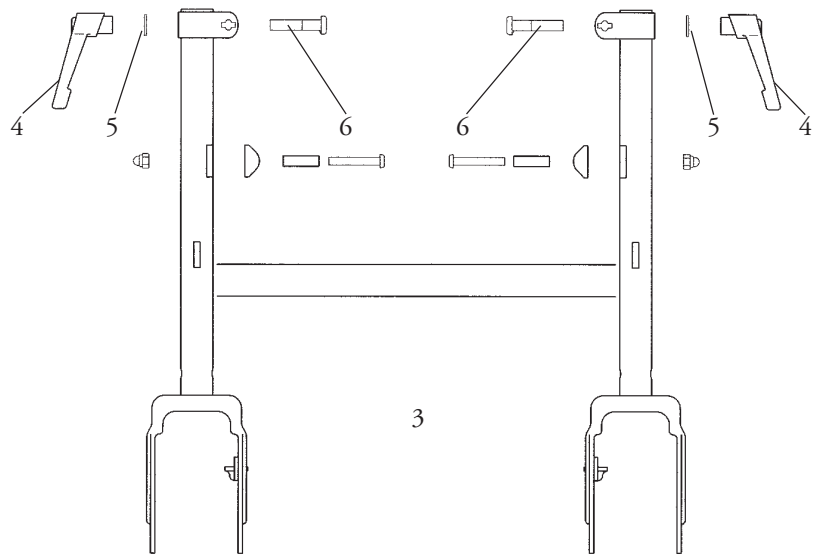
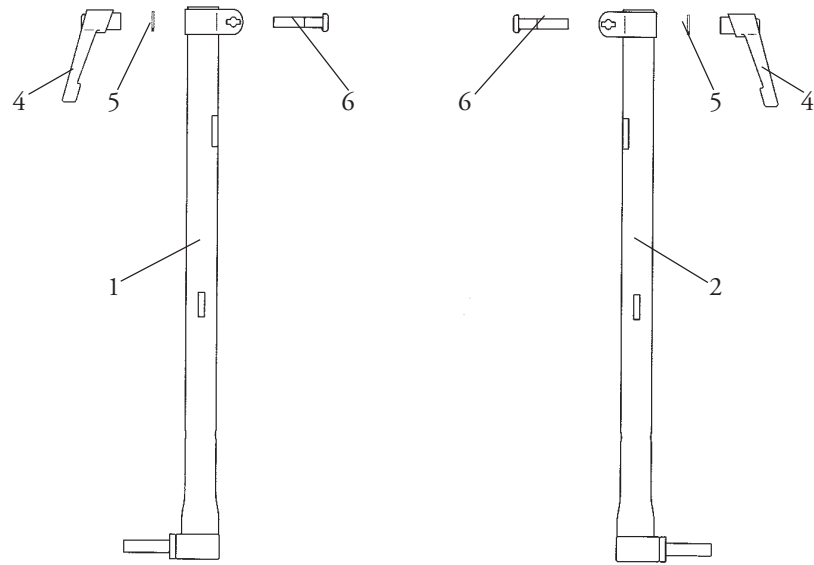
2

Item	Article number	Article description	Quantity
1	HR24101210-xxx	Anterior frame, rigid, complete, size 1	1
1	HR24201210-xxx	Anterior frame, rigid, complete, size 2	1
2	HR24301210-xxx	Anterior frame, rigid, complete, size 3	1

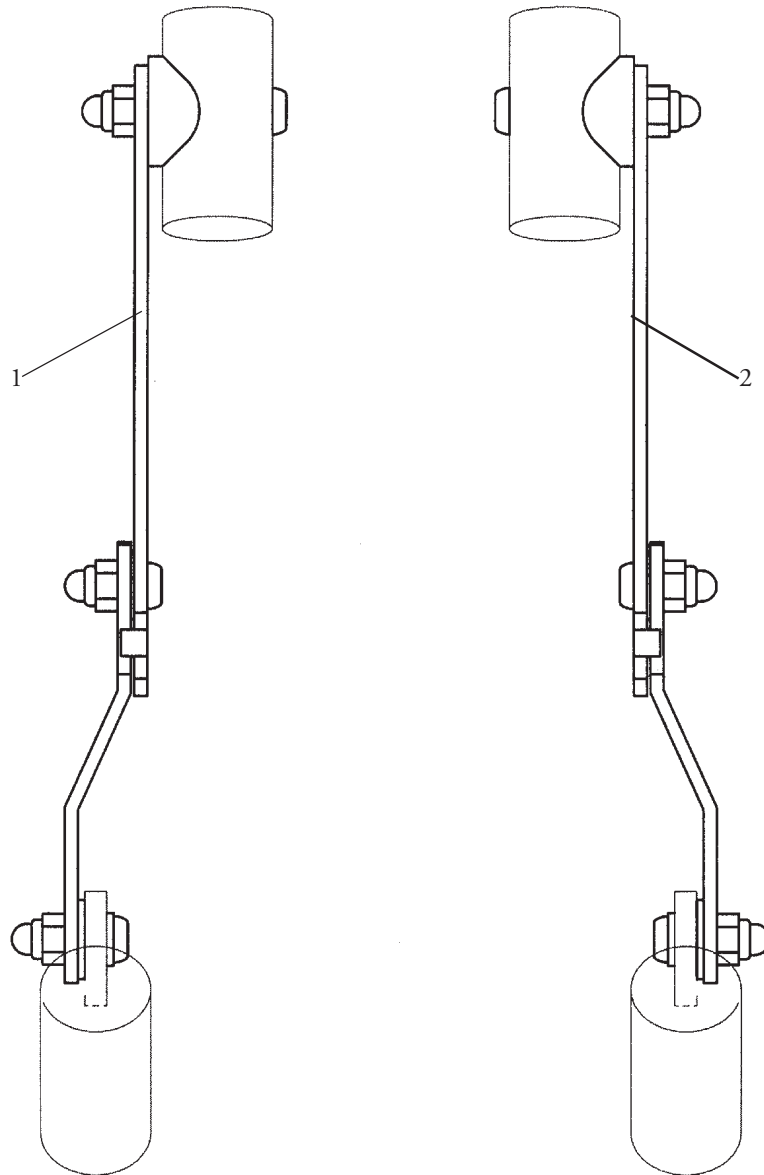
Anterior Frame, swiveled



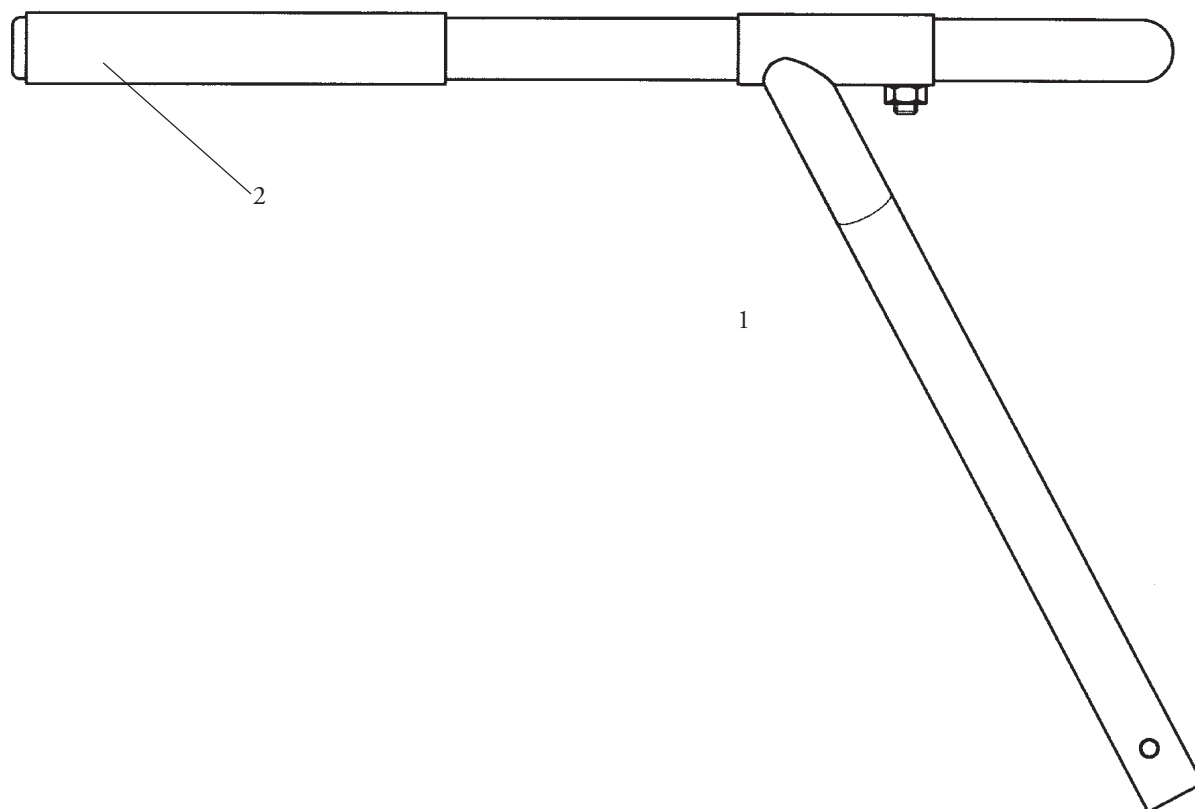
Item	Article number	Article description	Quantity
1	HR24111210-xxx	Anterior frame, swiveled, complete, size 1	1
1	HR24211210-xxx	Anterior frame, swiveled, complete, size 2	1
1	HR24311210-xxx	Anterior frame, swiveled, complete, size 3	1



Item	Article number	Article description	Quantity
1	HR24101102-xxxE	Posterior frame right, complete, size 1	1
2	HR24101101-xxxE	Posterior frame left, complete, size 1	1
1	HR24201102-xxxE	Posterior frame right, complete, size 2	1
2	HR24201101-xxxE	Posterior frame left, complete, size 2	1
3	HR24301101-xxxE	Posterior frame, complete, size 3	1
4	HR11210800	Clamping lever PA6 black, M8 internal thread/St bronzed	2
5	HR10510008	Washer DIN 125, A8.4, galvanized	2
6	HR11110020	Clamping bolt with lug, M8x40, galvanized	2

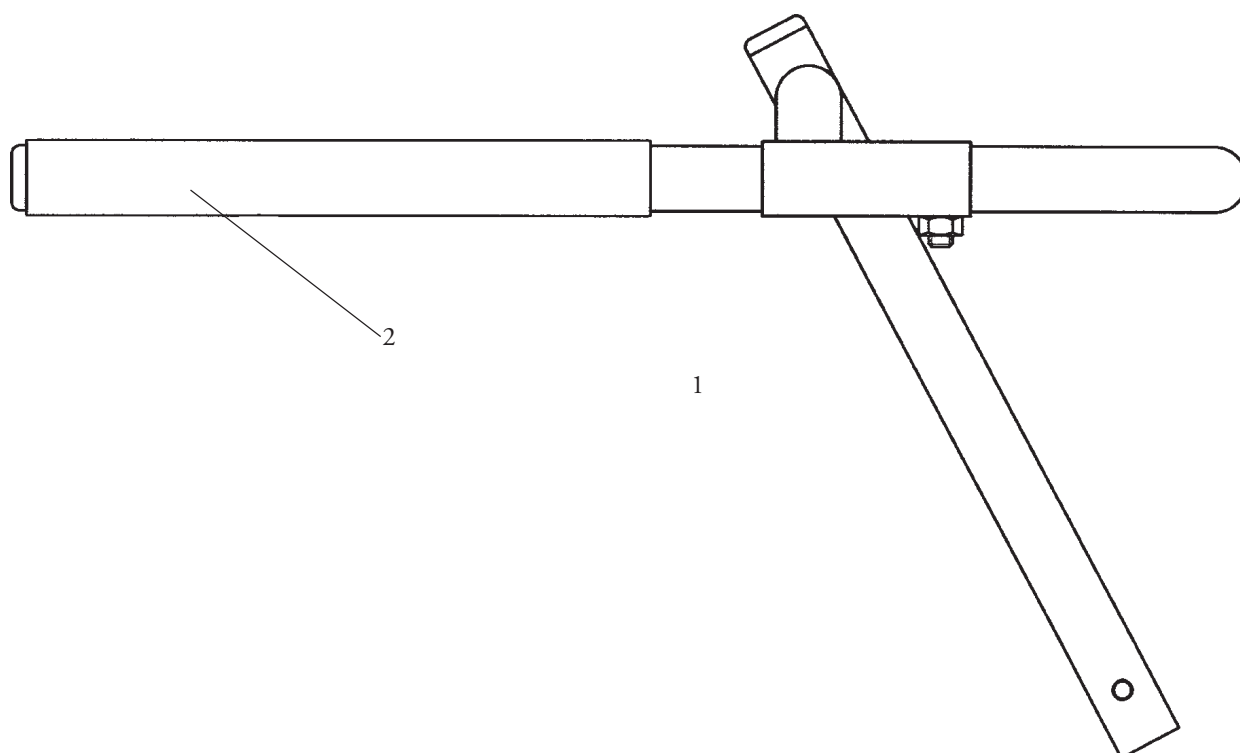


Item	Article number	Article description	Quantity
1	HR24101410-xxxE	Folding mechanism left complete - All sizes	1
2	HR24101420-xxxE	Folding mechanism right complete - All sizes	1



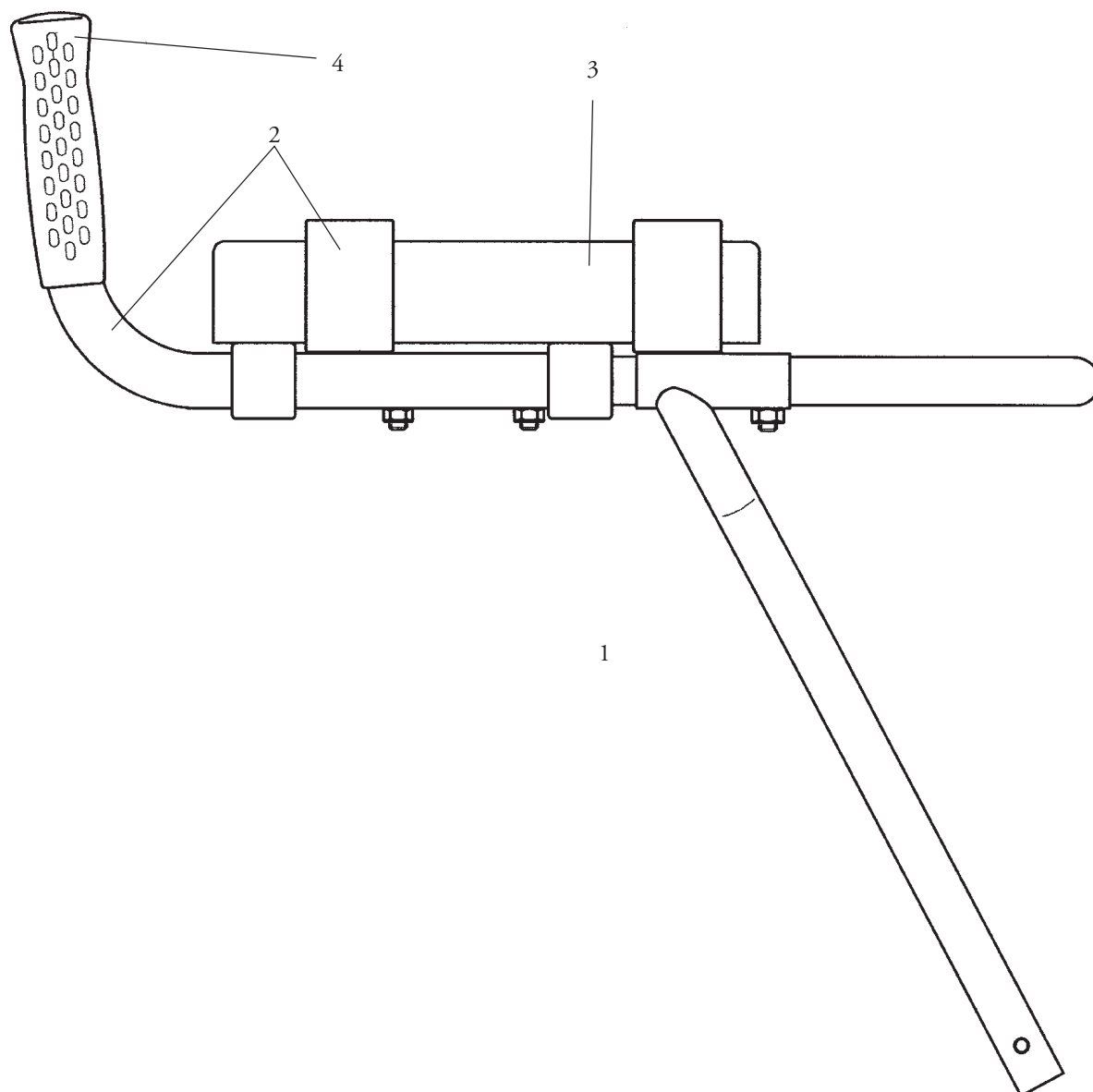
Item	Article number	Article description	Quantity
1	HR24101300	Grip bar, complete, size 1	1
1	HR24201300	Grip bar, complete, size 2	1
1	HR24301300	Grip bar, complete, size 3	1
2	HR11290018	Soft grip hose, black, 20.5x1.7x150	2

Grip Bar, mini



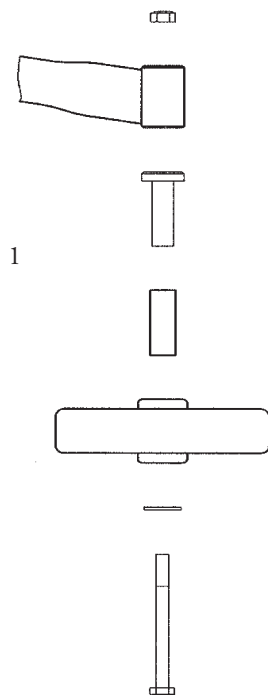
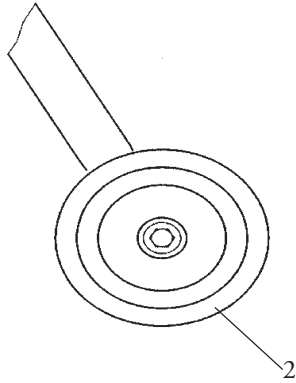
Item	Article number	Article description	Quantity
1	HR24107500	Grip bar, mini, complete, size 1	1
2	HR11290018	Soft grip hose, black, 20.5x1.7x150	2

Grip Bar, extra high, with forearm support



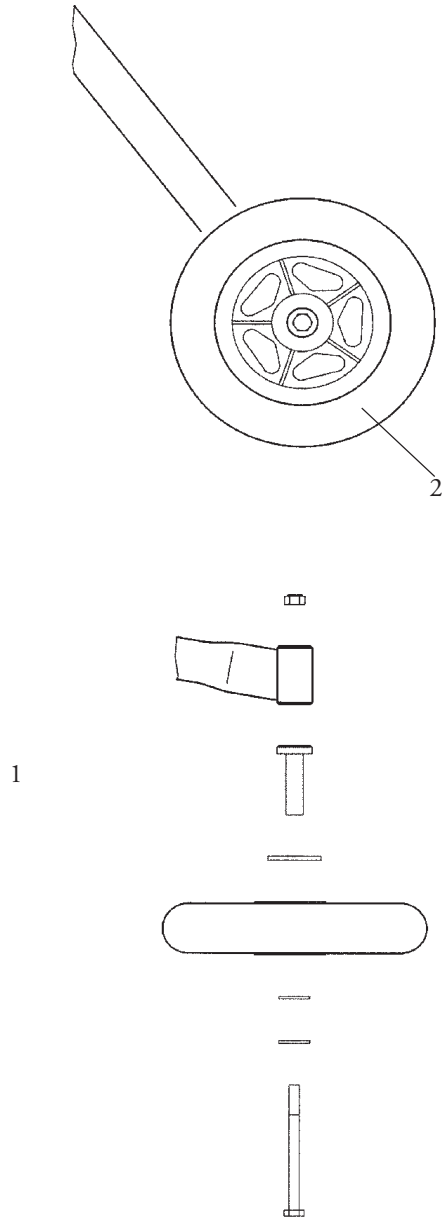
Item	Article number	Article description	Quantity
1	HR24100100	Grip bar, extra high, with forearm support, complete, size 1	1
1	HR24200100	Grip bar, extra high, with forearm support, complete, size 2	1
1	HR24300100	Grip bar, extra high, with forearm support, complete, size 3	1
2	HR24107100E	Bar with forearm support	2
3	HR24107120	Pad for forearm support, black, complete	2
4	HR11290047	Rubber hand grips - d25mm	2

Front Wheels, rigid, size 1



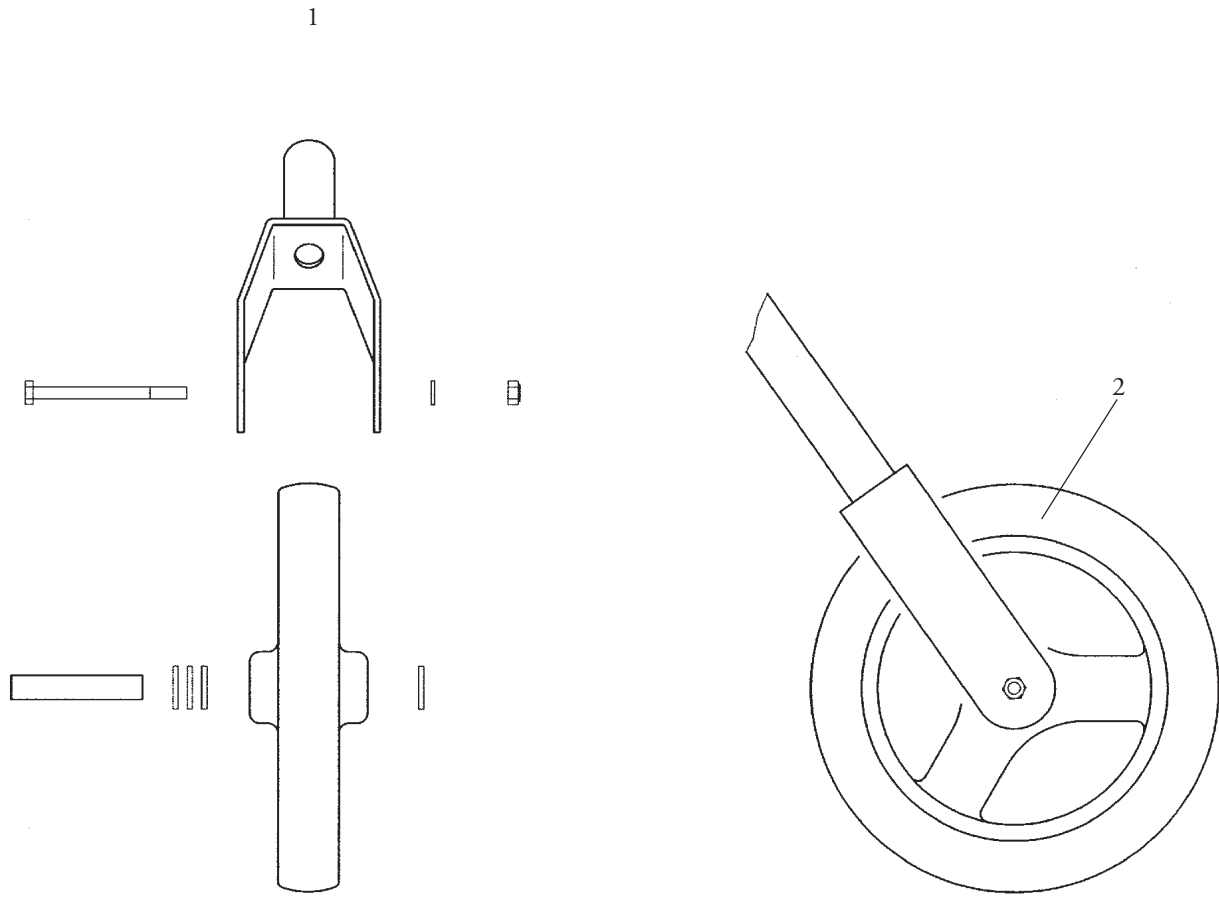
Item	Article number	Article description	Quantity
1	HR24101600E	Front wheel attachment, rigid, complete, size 1	2
2	HR12411021	Solid rubber wheel U-VG100/25-G12 grey	2

Front Wheels, rigid, size 2



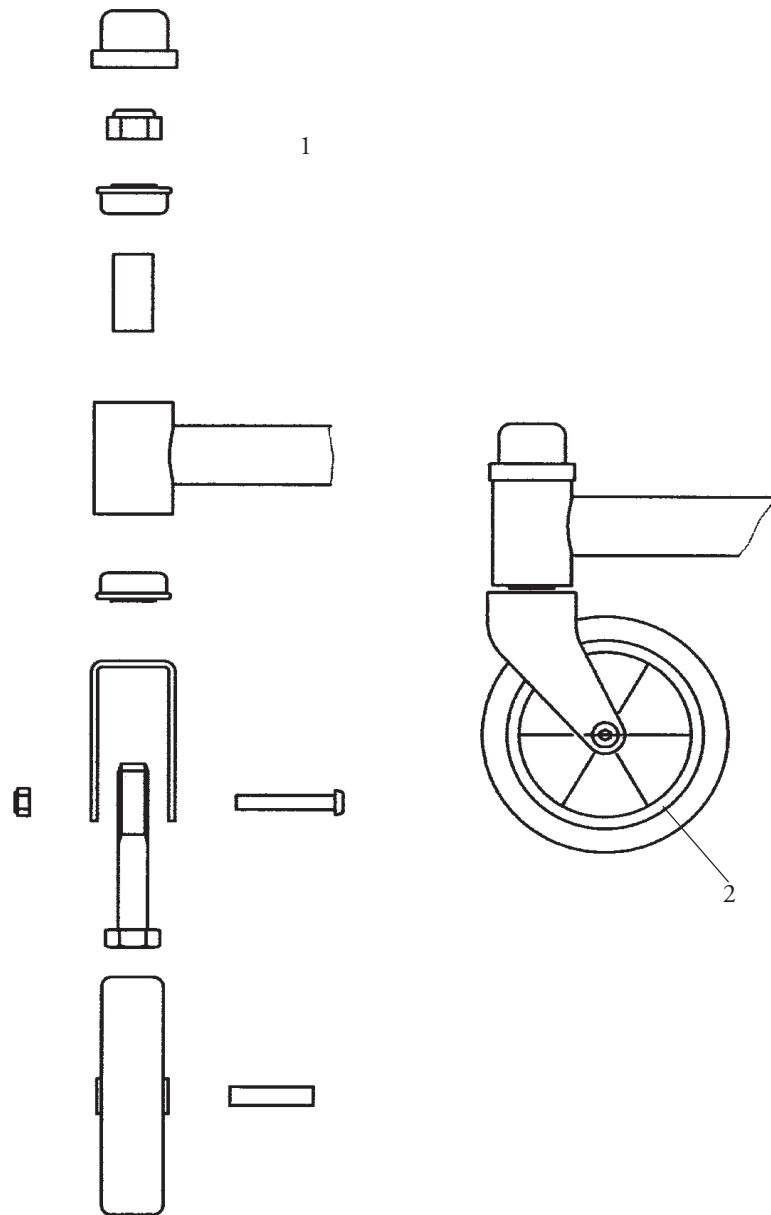
Item	Article number	Article description	Quantity
1	HR24201600E	Front wheel attachment, rigid, complete, size 2	2
2	HR12311500	EVA-wheel R150/30-1-ES-10	2

Front Wheels, rigid, size 3



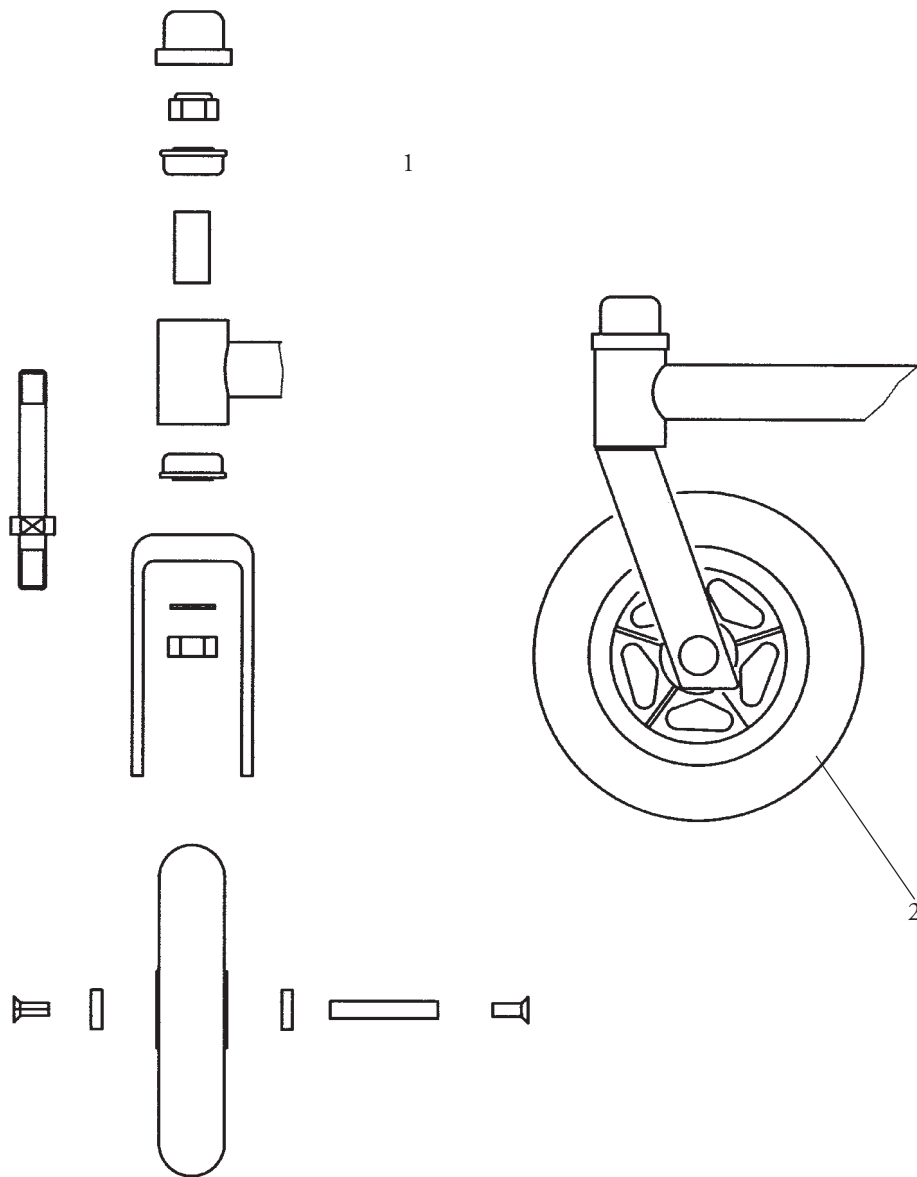
Item	Article number	Article description	Quantity
1	HR24301600E	Front wheel attachment, rigid, complete, size 3	2
2	HR12332020	EVA-wheel R200/30-2-ES-GL	2

Front Wheels, swiveled, size 1



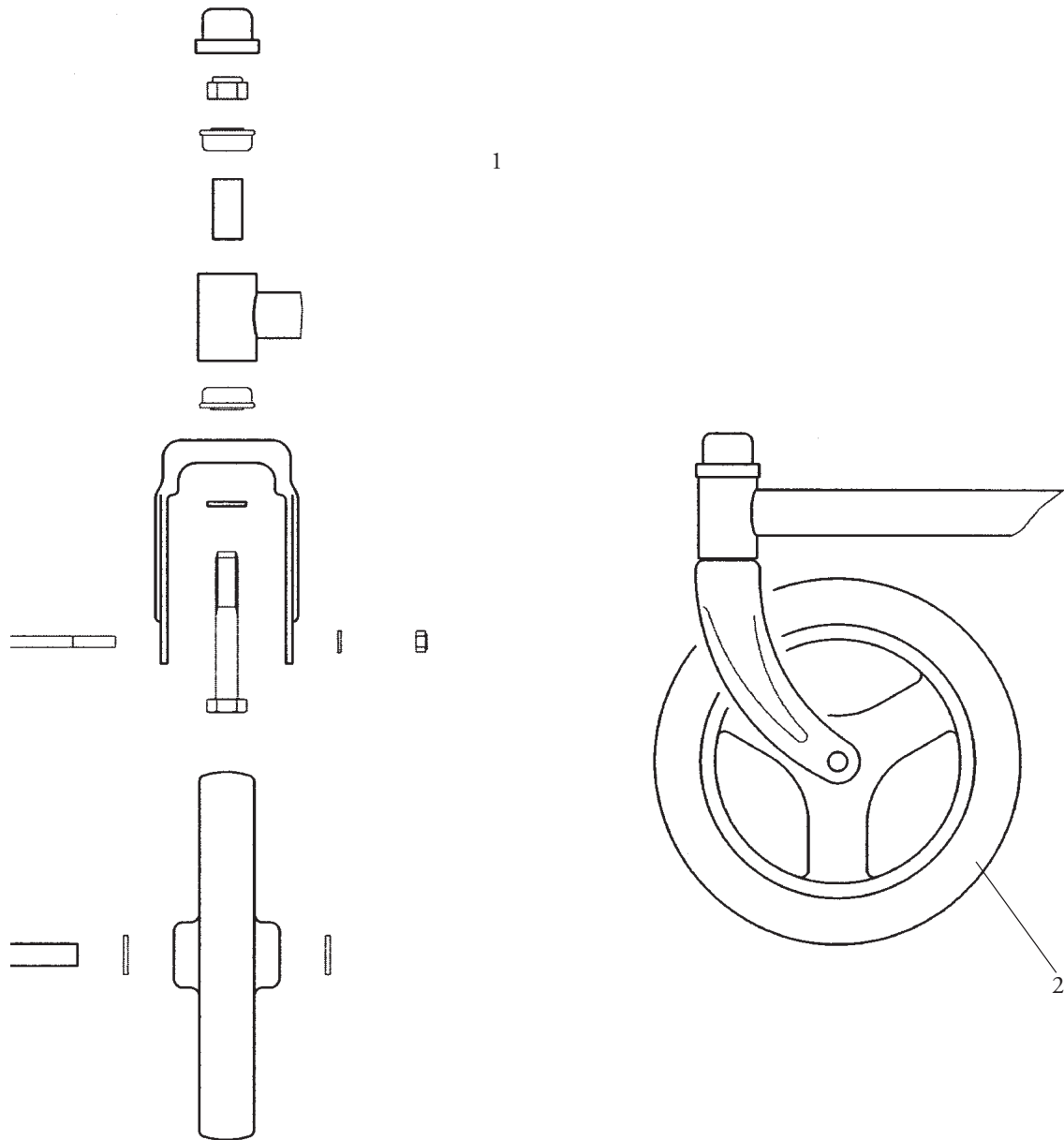
Item	Article number	Article description	Quantity
1	HR24111600-xxxE	Front wheel attachment, swiveled, complete, size 1	2
2	HR12411020	Wheel, rubber tread GL100PA6 100x25x12	2

Front Wheels, swiveled, size 2



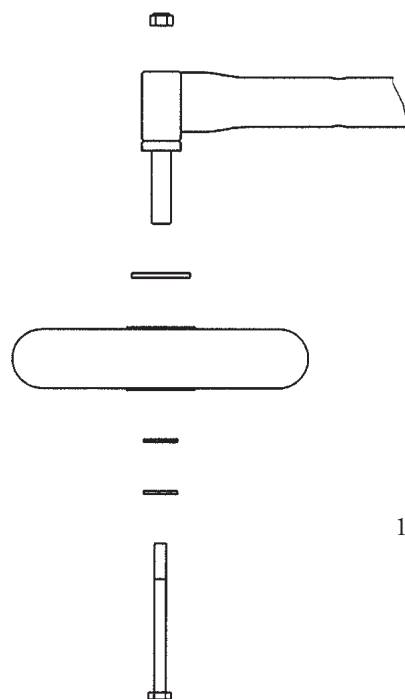
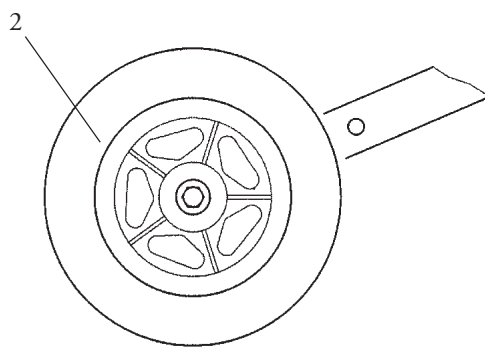
Item	Article number	Article description	Quantity
1	HR24211600-xxxE	Front wheel attachment, swiveled, complete, size 2	2
2	HR12311580	EVA-wheel R150/30-1-ES	2

Front Wheels, swiveled, size 3

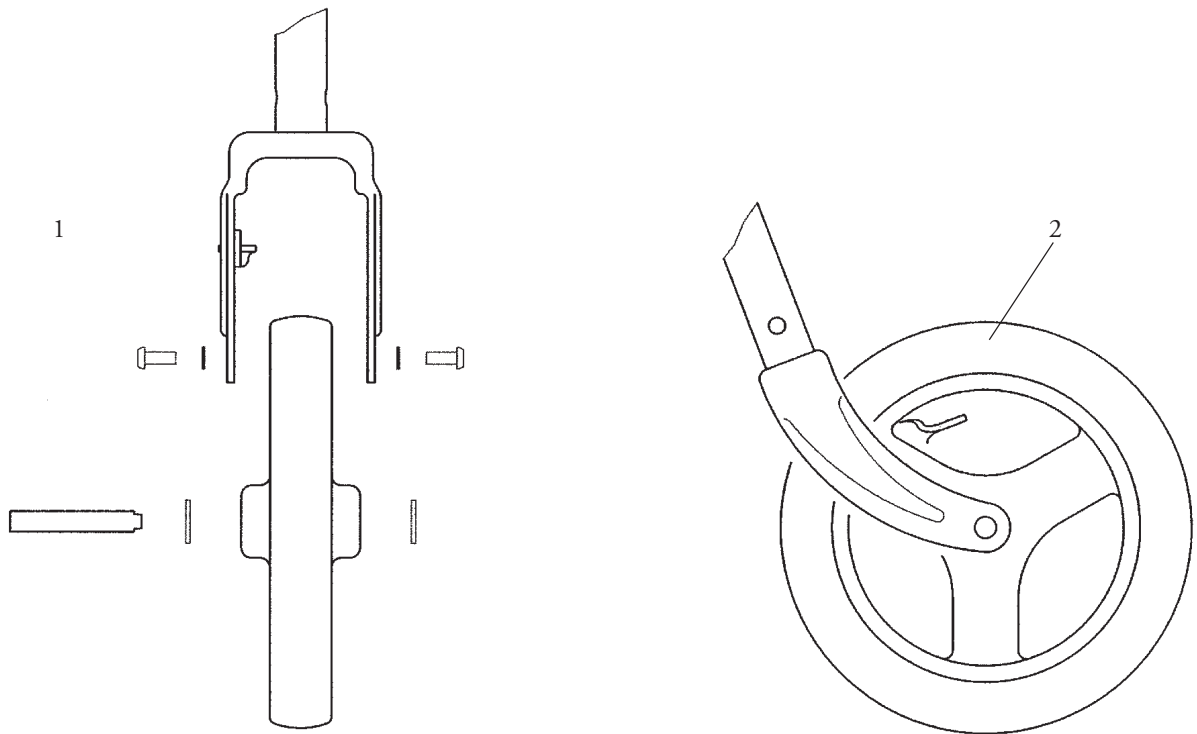


Item	Article number	Article description	Quantity
1	HR24311600-xxxE	Front wheel attachment, swiveled, complete, size 3	2
2	HR12332020	EVA-wheel R200/30-2-ES-GL	2

Rear Wheels, size 1 and size 2

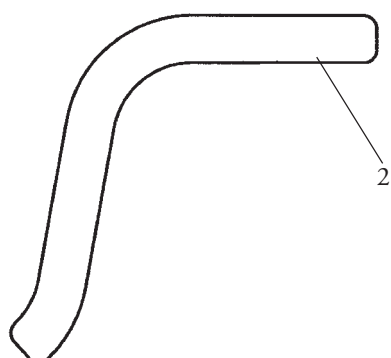
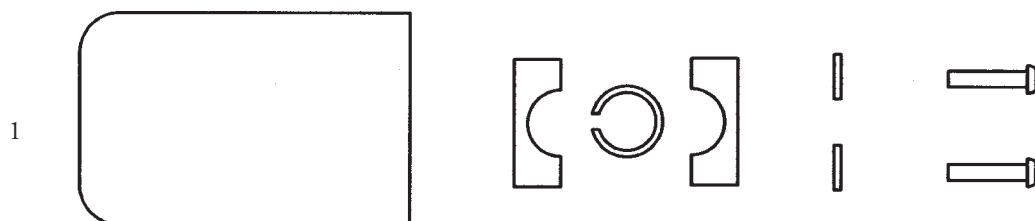


Item	Article number	Article description	Quantity
1	HR24101501E	Rear wheel attachment left, complete, size 1 and size 2	2
2	HR12341501E	EVA-wheel left, complete	2
1	HR24101502E	Rear wheel attachment right, complete, size 1 and size 2	2
2	HR12341502E	EVA-wheel right, complete	2

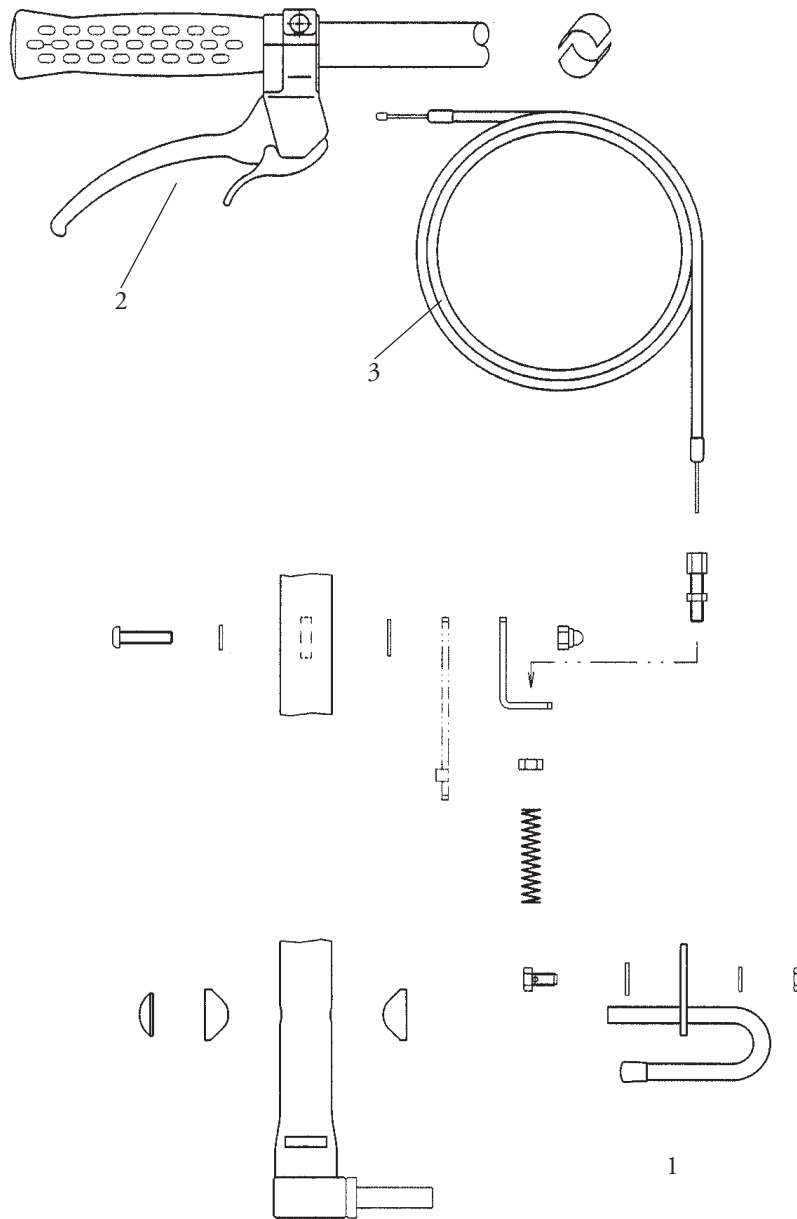


Item	Article number	Article description	Quantity
1	HR24301501E	Rear wheel attachment left, complete, size 3	2
2	HR12342001E	EVA-wheel left, complete	2
1	HR24301502E	Rear wheel attachment right, complete, size 3	2
2	HR12342002E	EVA-wheel right, complete	2

Pelvic Supports

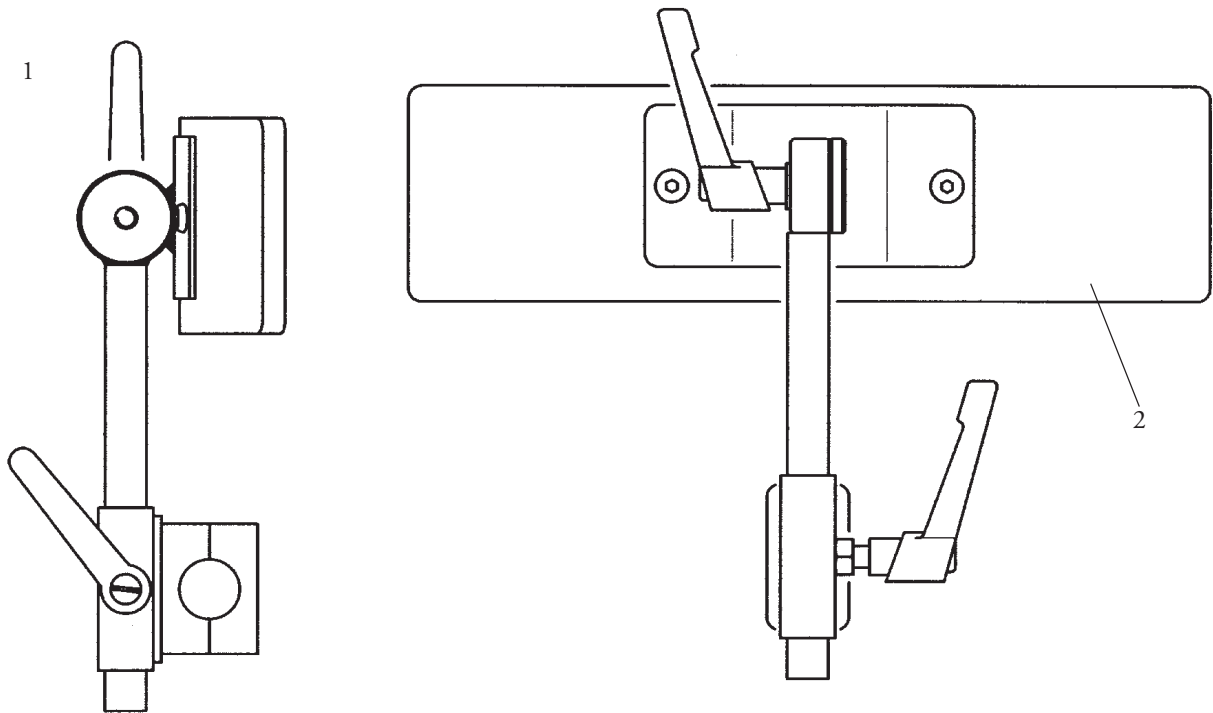


Item	Article number	Article description	Quantity
1	HR24100030	Pelvic supports, complete, pair	1
2	HR24100610E	Pad for pelvic support	2

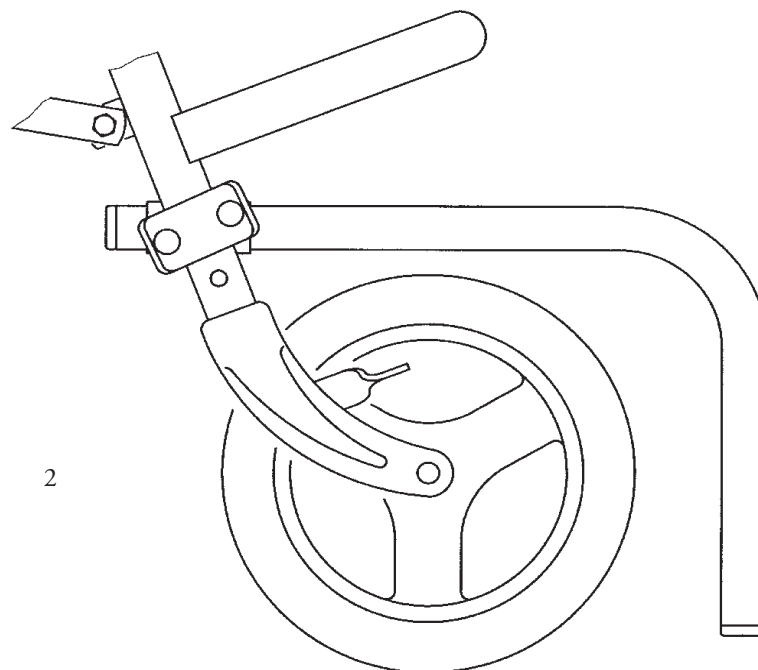
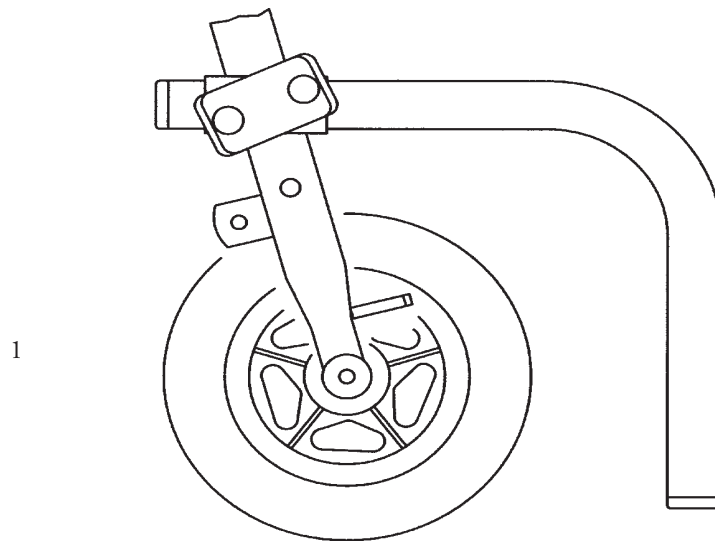


Item	Article number	Article description	Quantity
1	HR24200080	Wheel lock for grip bar standard, complete, size 2	1
3	HR11290024	Bowden cable 690/850	2
1	HR24200090	Wheel lock for grip bar extra high, complete, size 2	1
3	HR11290027E	Bowden cable 1100/1250	2
1	HR24300080	Wheel lock for grip bar standard, complete, size 3	1
3	HR11290025	Bowden cable 750/900	2
1	HR24300090	Wheel lock for grip bar extra high, complete, size 3	1
3	HR11290028E	Bowden cable 1250/1400	2
2	HR11290002	Brake lever with lock	2

Gluteal Support

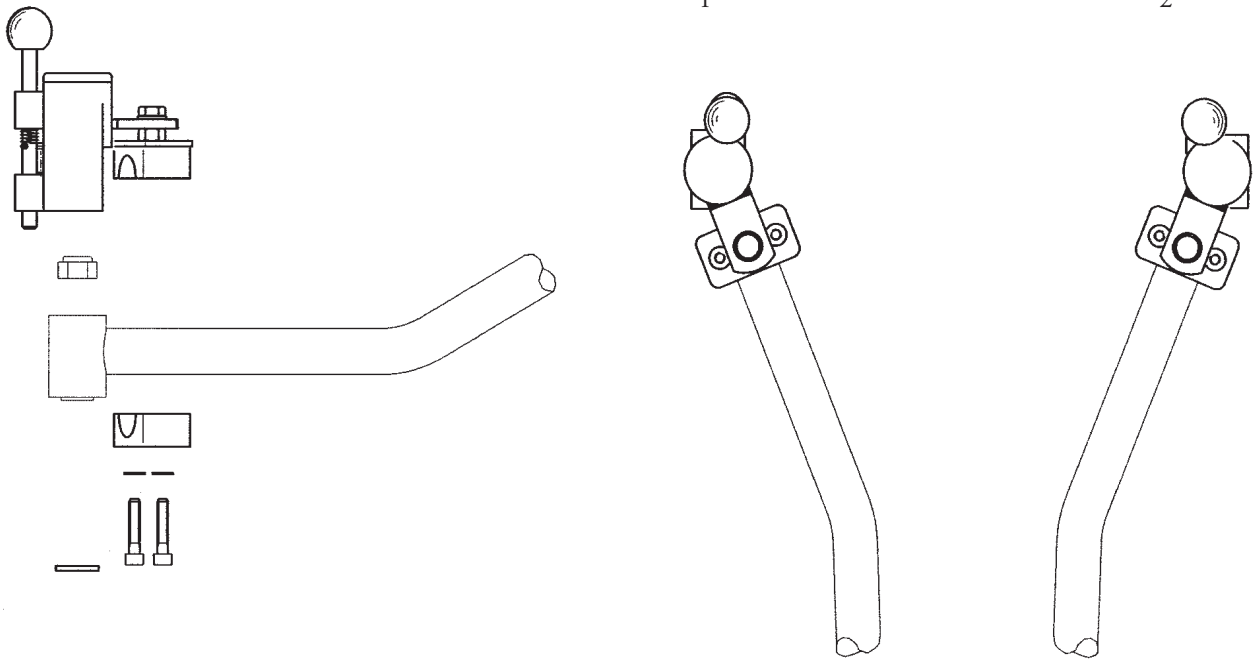


Item	Article number	Article description	Quantity
1	HR24100040	Gluteal support, complete	1
2	HR24100045E	Pad for gluteal support	1

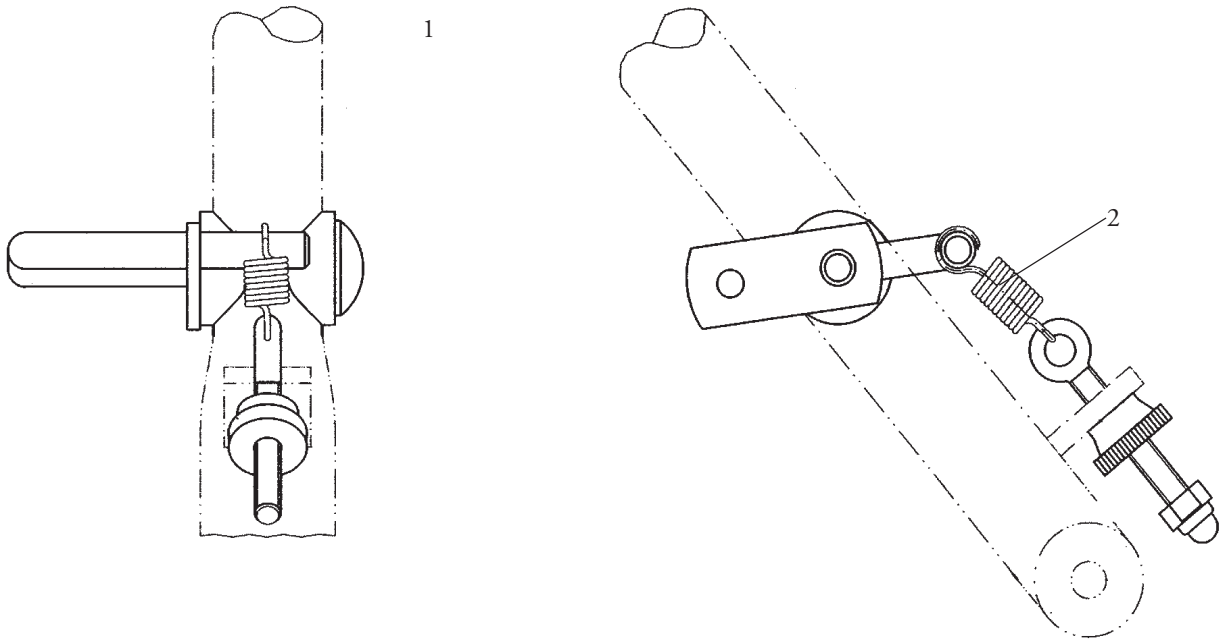


Item	Article number	Article description	Quantity
1	HR24100021-xxxE	Anti-tipper left, size 1 and size 2	1
1	HR24100022-xxxE	Anti-tipper right, size 1 and size 2	1
2	HR24300021-xxxE	Anti-tipper left, size 3	1
2	HR24300022-xxxE	Anti-tipper right, size 3	1

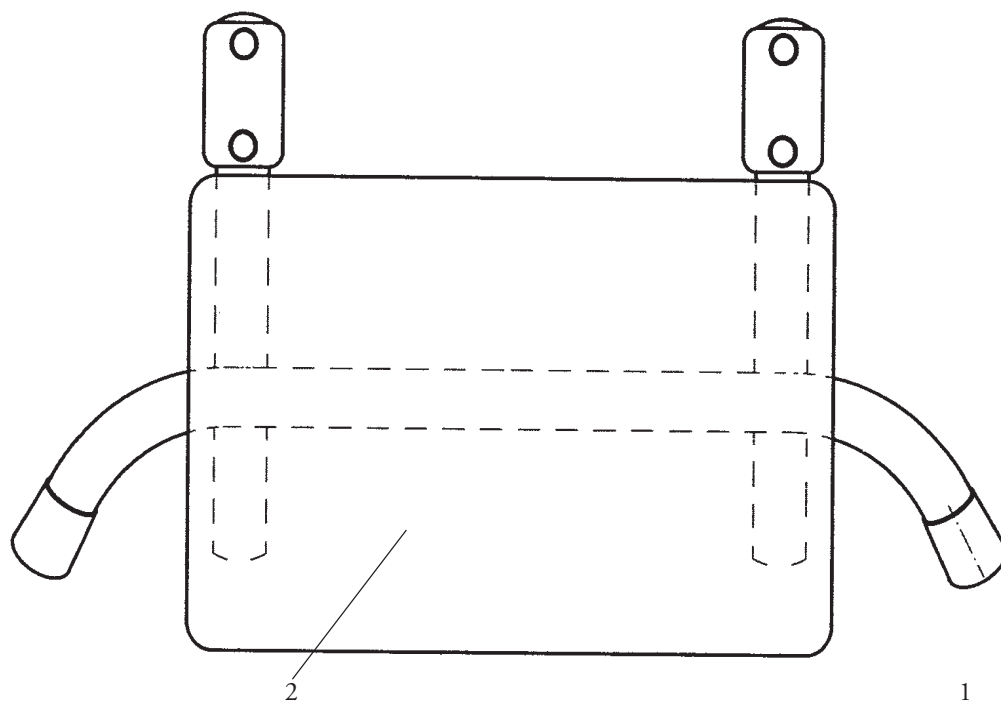
Caster Swivel Lock



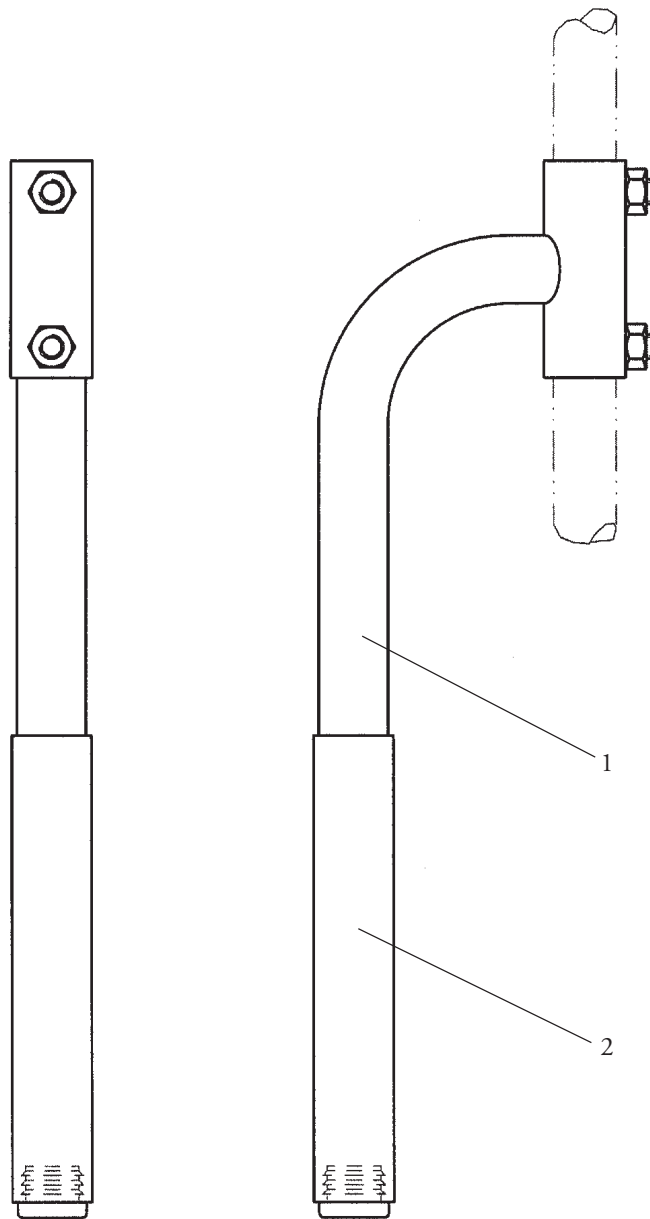
Item	Article number	Article description	Quantity
1	HR24110310E	Caster swivel lock left, complete, size 1	1
2	HR24110320E	Caster swivel lock right, complete, size 1	1
1	HR24210310E	Caster swivel lock left, complete, size 2	1
2	HR24210320E	Caster swivel lock right, complete, size 2	1
1	HR24310310E	Caster swivel lock left, complete, size 3	1
2	HR24310320E	Caster swivel lock right, complete, size 3	1



Item	Article number	Article description	Quantity
1	HR24100010	Friction brake, complete, size 1 and size 2	1
1	HR24300010	Friction brake, complete, size 3	1
2	HR11320001	Expansion spring 1.4DA10x27Lo	2

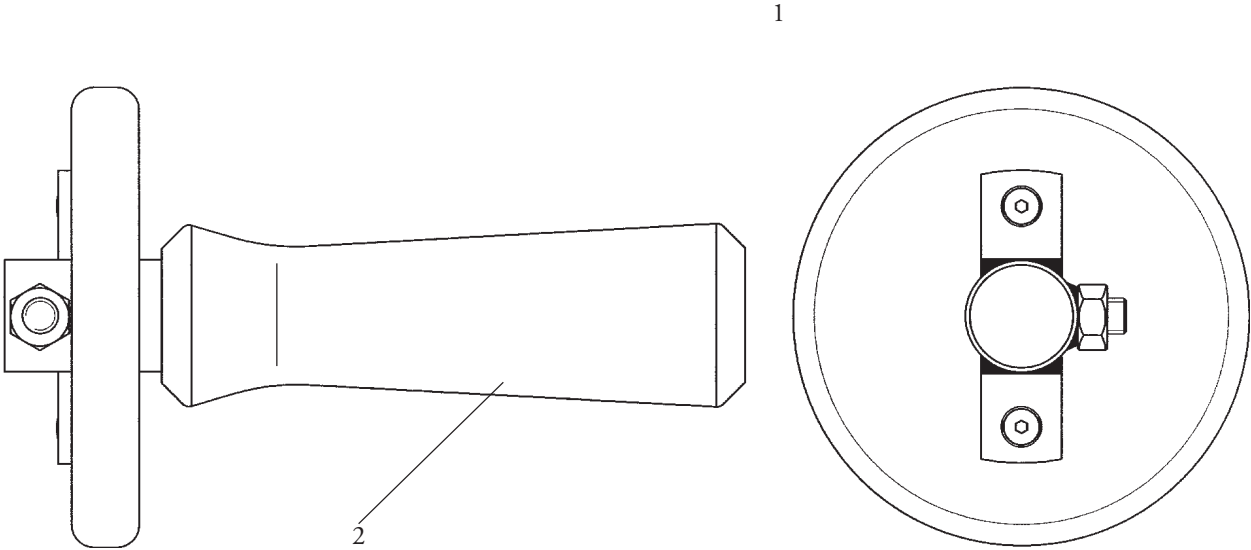


Item	Article number	Article description	Quantity
1	HR24107200	Seat, complete, size 1	1
2	HR24107220	Seat pad, complete, size 1	1
1	HR24207200	Seat, complete, size 2	1
2	HR24207220	Seat pad, complete, size 2	1
1	HR24307200	Seat, complete, size 3	1
2	HR24307220	Seat pad, complete, size 3	1

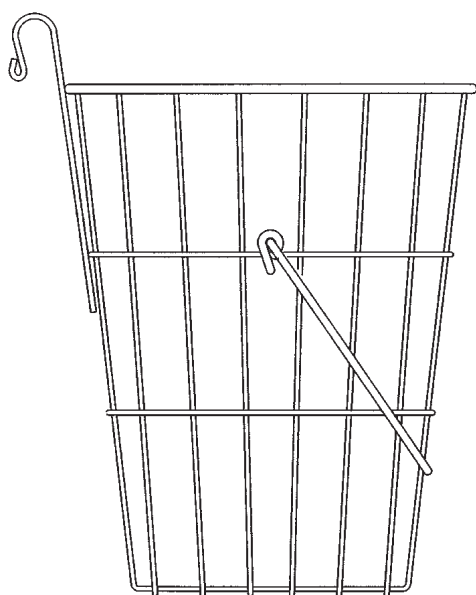


Item	Article number	Article description	Quantity
1	HR24107610-201	Universal grip, chromium	2
2	HR11290018	Soft grip hose, black, 20.5x1.7x150	2

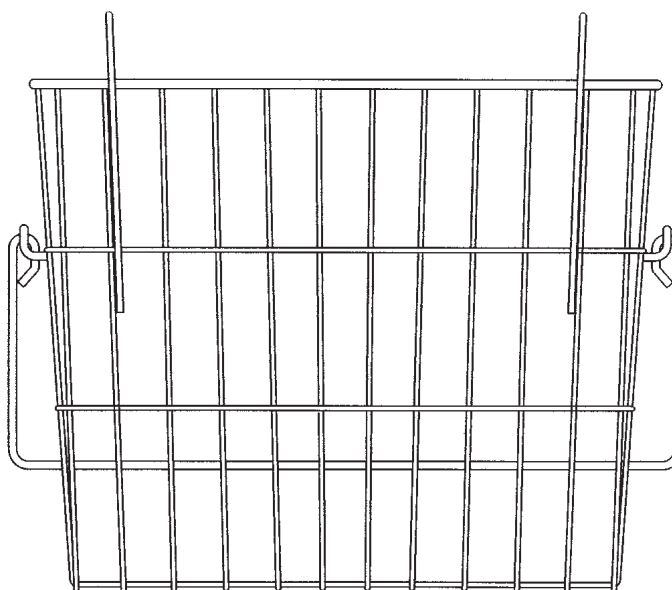
Grip with Hand Plate



Item	Article number	Article description	Quantity
1	HR24100070	Grip with hand plate, complete, pair, all sizes	1
2	HR11290011	Sponge rubber grip, black, profiled, size 120	2



1



Item	Article number	Article description	Quantity
1	HR24107300-003	Storage basket, black, complete, size 1	1
1	HR24207300-003	Storage basket, black, complete, size 2 and size 3	1

Rahmenfarben Nurmi / Nurmi frame colours



Farbcode
Colour code
-007

Signalrot / Fiery red (RAL 3001)



Farbcode
Colour code
-306

Saturnblau metallic /
Saturn blue metallic



Farbcode
Colour code
-301

Gelb / Yellow (RAL 1023)*



Farbcode
Colour code
-302

Grün / Green (RAL 6018)*

* only Germany, Austria, Switzerland