

Otto Bock[®]

QUALITY FOR LIFE



e-support

Ersatzteilekatalog / Spare Parts Catalog

Bitte geben Sie bei allen Ersatzteilbestellungen die folgenden Grunddaten an, um eine reibungslose Lieferung zu gewährleisten:

- 1) Serien-Nr. des Zusatzantriebs
- 2) Rahmenbreite
- 3) Rahmenfarbe

When ordering spare parts, please always indicate the following basic data to ensure smooth delivery:

- 1) Serial no. of the add-on power drive
- 2) Frame width
- 3) Frame color

Inhaltsverzeichnis – e-support

Seite

B

Batterie 2

E

Elektronik..... 4

L

Ladegerät..... 3

M

Motor links..... 6

Motor rechts 7

R

Räder 5

Table of contents – e-support

Page

B

Battery 9

Battery charger 10

E

Electronics..... 11

M

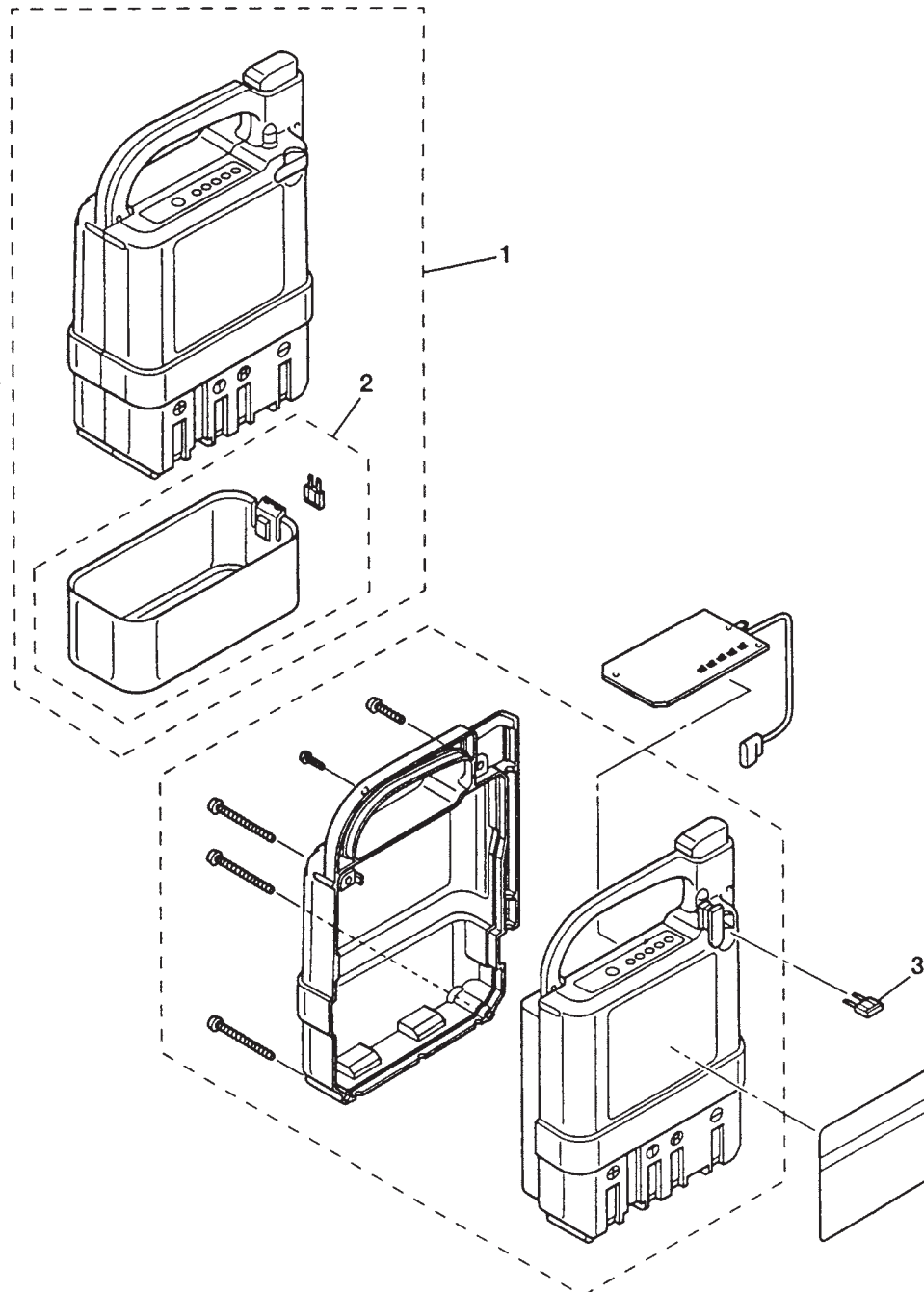
Motor, left 13

Motor, right 14

W

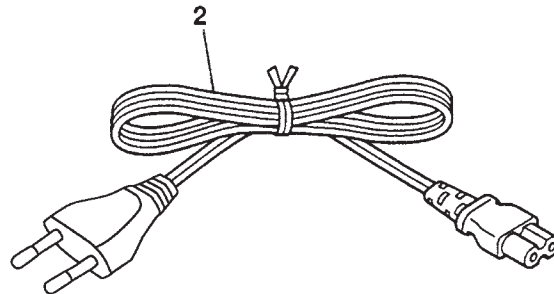
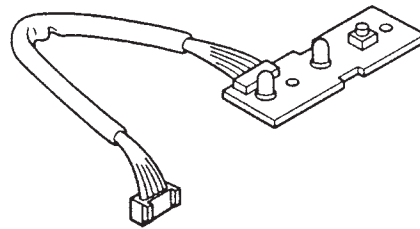
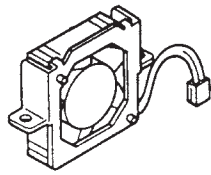
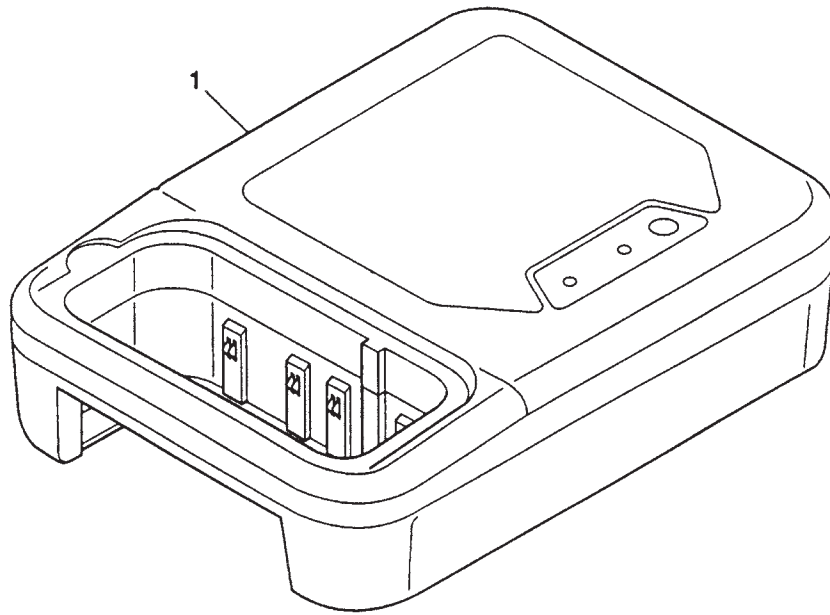
Wheels..... 12

Battery



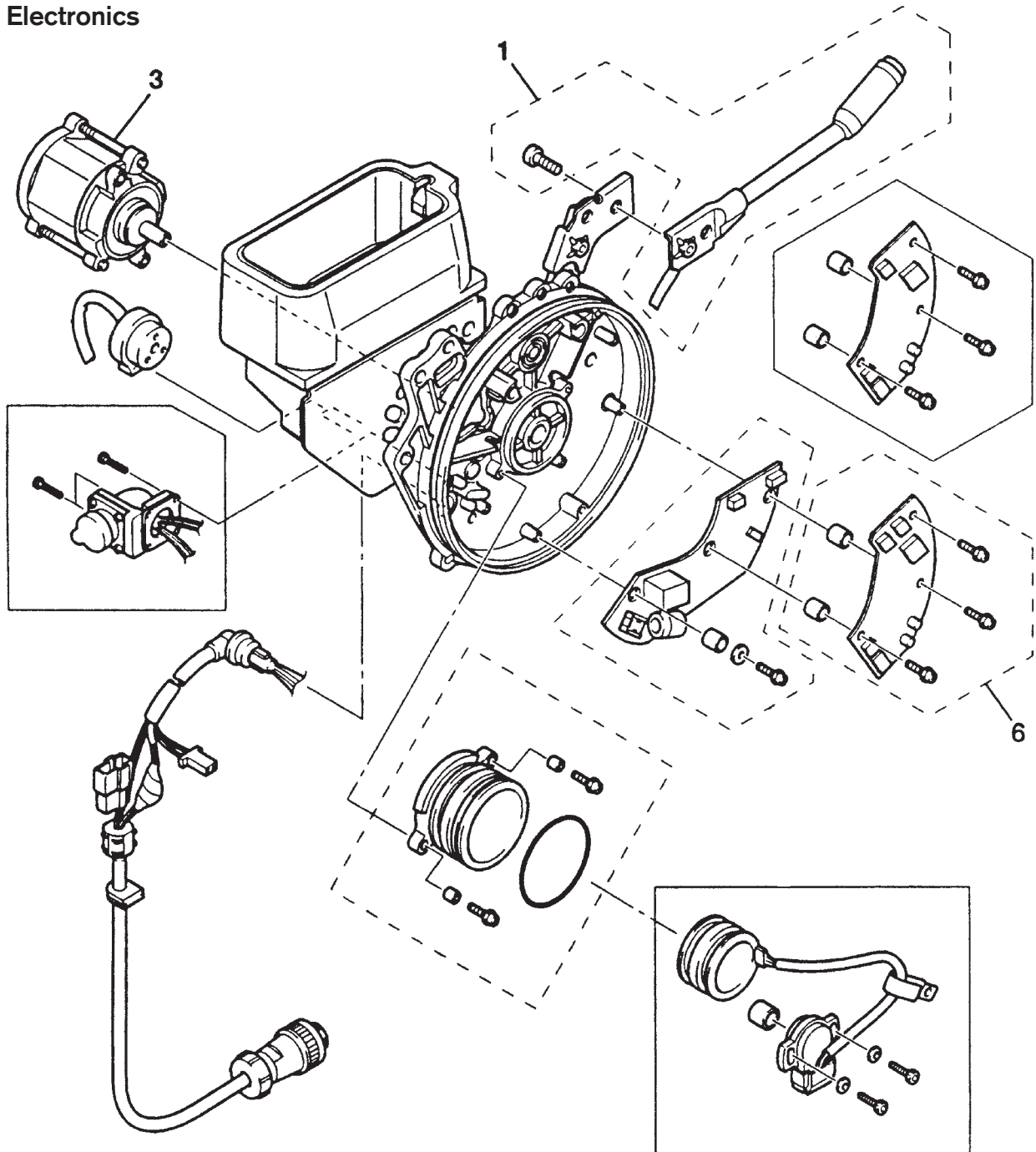
Item	Article number	Description	Quantity
1	493U24=ST001	Battery, complete with cover and fuse	1
2	493U24=SV003	Battery cover with fuse	1
3	493U24=ST004	Fuse e-support	1

Battery charger



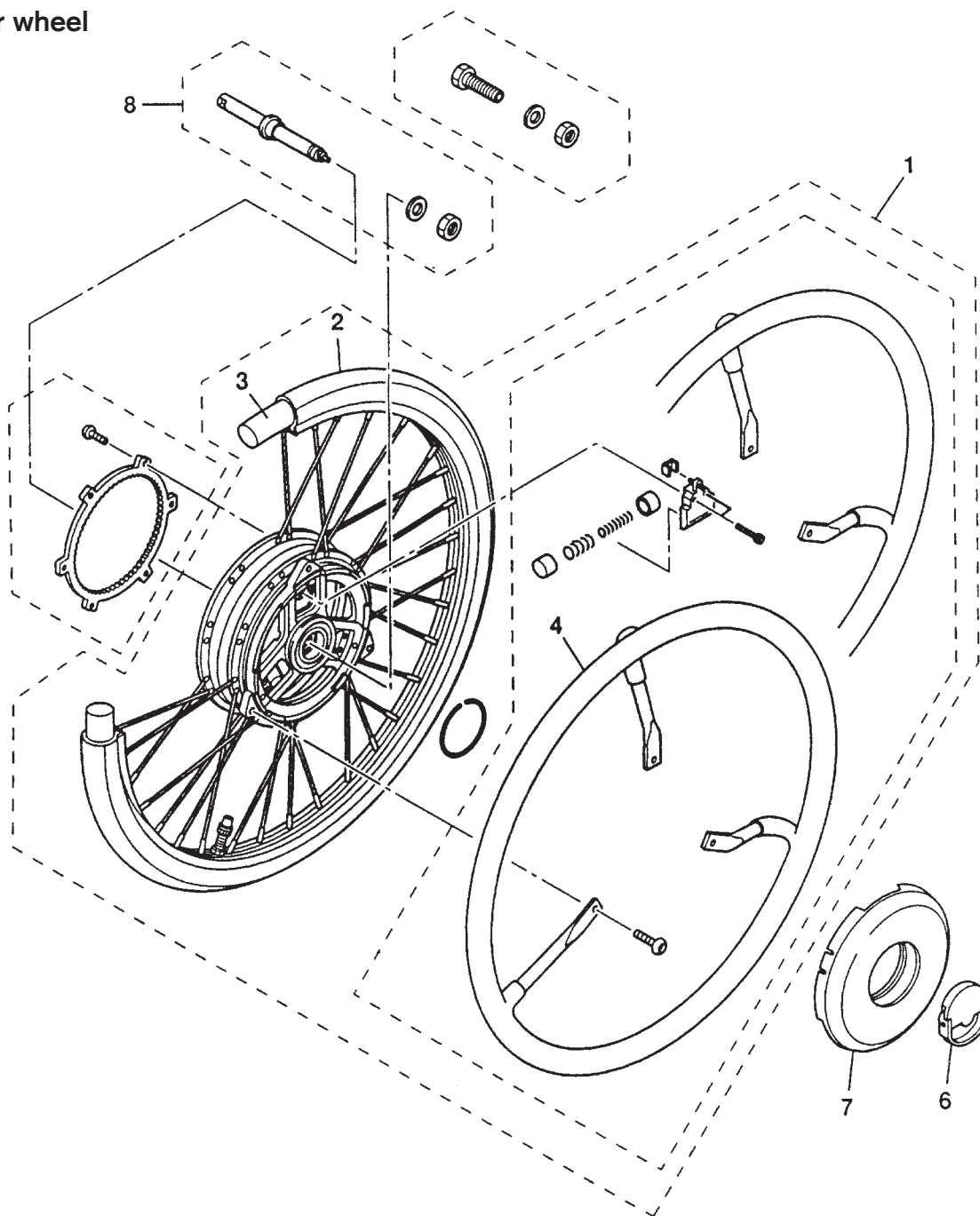
Item	Article number	Description	Quantity
1	493U24=ST002	Battery charger	1
2	493U24=SK005	Cable for battery charger	1

Electronics



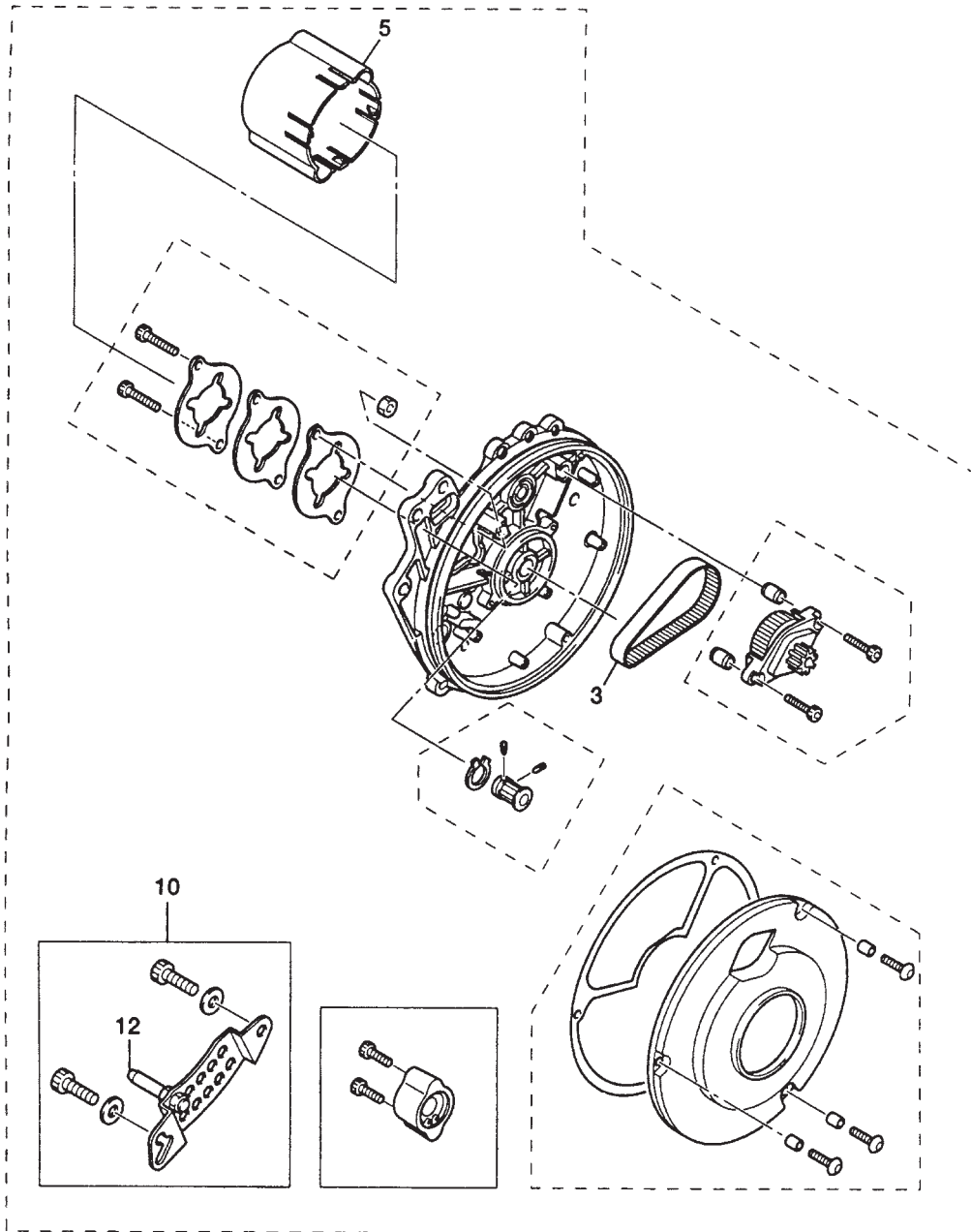
Item	Article number	Description	Quantity
1	493T24=SK008	Component group – switch lever	1
3	493T24=SK009	Component group – motor	1

Rear wheel



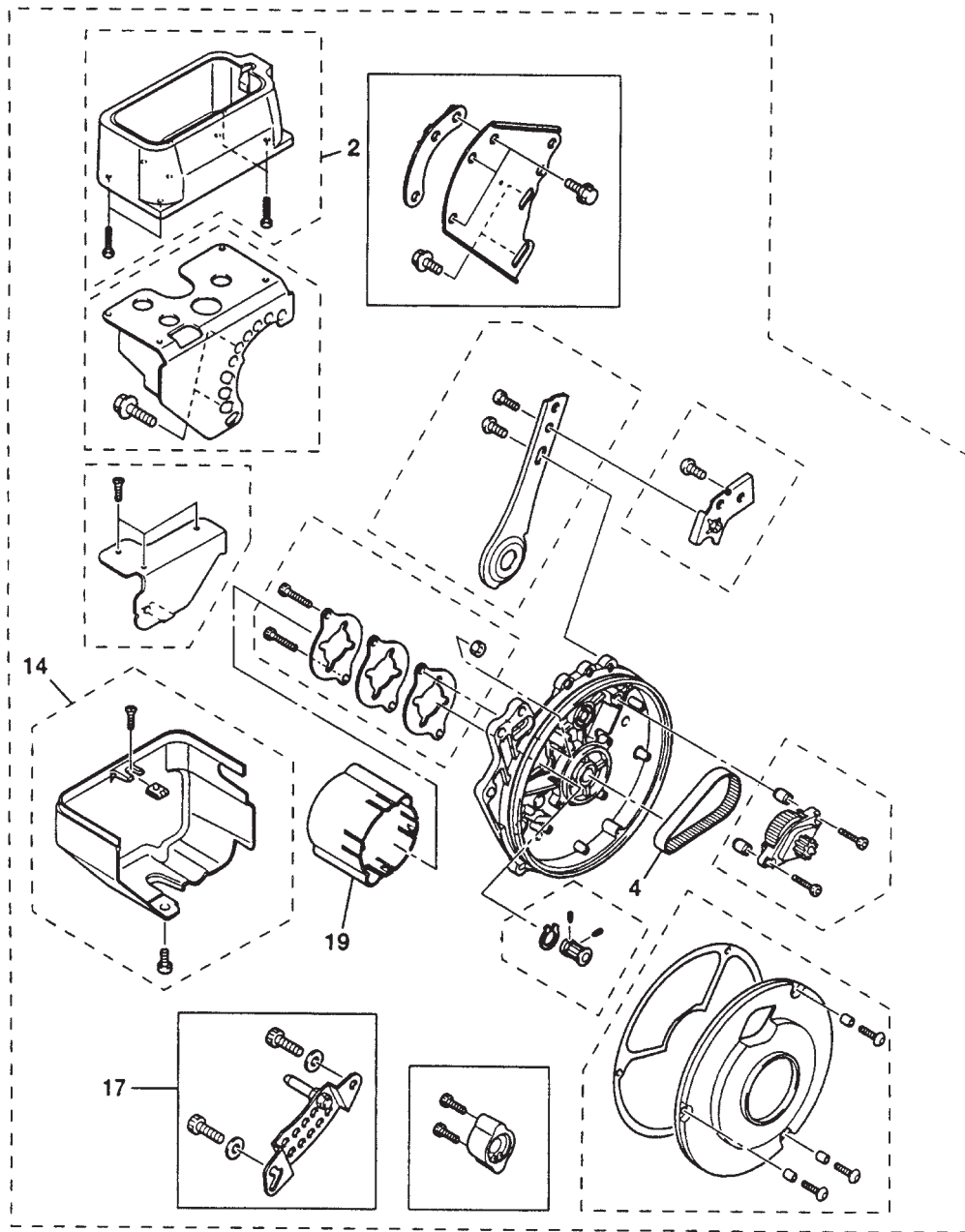
Item	Article number	Description	Quantity
1	493T24=LM001	Servo drive, low amplification, left	1
no illustr.	493T24=RM001	Servo drive, low amplification, right	1
1	493T24=LM002	Servo drive, high amplification, left	1
no illustr.	493T24=RM002	Servo drive, high amplification, right	1
2	493G24=ST010	Casing for e-support wheel	1
3	481G00=ST324	Inner tube 24x1 ³ / ₈ "	1
no illustr.	481G00=ST437	Polyurethane tire 24x1 ³ / ₈ "	1
4	493G24=SU006	Push ring e-support, rubber-coated	1
no illustr.	493G24=SP006	Push ring e-support, stainless steel	1
6	493T24=SK010	Plate with release lever	1
7	493T24=ST005	Wheel cover for e-support	1
8	493G24=SK007	Lock bar	1

Motor, left



Item	Article number	Description	Quantity
3	493T24=ST007	Toothed belt	1
5	493T24=ST006	Motor cover	1
10	493T24=LK011	Adapter compl., left	1

Motor, right



Item	Article number	Description	Quantity
2	493U24=SV010	Battery holding device	1
4	493T24=ST007	Toothed belt (refer to page 6, item 3)	1
14	493U24=ST006	Battery cover	1
17	493T24=RK011	Adapter compl., right	1
19	493T24=ST006	Motor cover (refer to page 6, item 5)	1

Hersteller/Manufacturer:

Otto Bock HealthCare GmbH

Max-Näder-Straße 15 · D-37115 Duderstadt

National: Telefon (0 55 27) 848 1461/1462/1463 · Fax (0 55 27) 848 14 60

International: Phone +49-5527-848-1304/1562/1590/1594/3663 · Fax +49-5527-848-1676

e-mail: reha@ottobock.de · Internet: <http://www.ottobock.com>

Versandanschrift für Rücksendungen/Address for Returns

Otto Bock HealthCare GmbH

Lindenstraße 13 · D-07426 Königsee



Otto Bock HealthCare GmbH has been certified by the German Society for the Certification of Quality Assurance Systems (DQS)
in accordance with DIN EN ISO 9001 standard, reg. no. 779 (management system)