

Voyager Evo

Rigid-frame active wheelchair

Article number: 480A76=00000_K



Standard equipment

- Custom-made rigid-frame wheelchair
- Rigid axle
- High-strength aluminium frame
- Impact-resistant anodised frame
- Fixed backrest
- Aluminium light footrest, fixed
- Aluminium side panels
- Rear wheels with quick-release axles
- Knee lever wheel lock

Load capacity:

- Aluminium frame – 100 kg
- Carbon fibre frame – 100 kg
- Titanium frame – 140 kg

<p>Base price: EUR X,XXX (including side panels and footrests)</p> <p>All prices in EUR, valid from 1/1/2015 to 31/12/2015</p>	<p>Order no.:</p> <p>-----</p>
---	--------------------------------

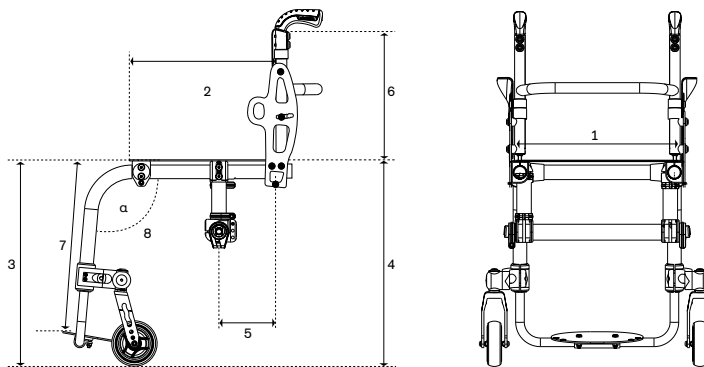
<input type="checkbox"/> Provide estimate only <input type="checkbox"/> Order	
Billing address/customer number	
Delivery address	
Sales person	<p>Name</p> <p>.....</p> <p>Date Signature</p>

Wheelchair measurements*

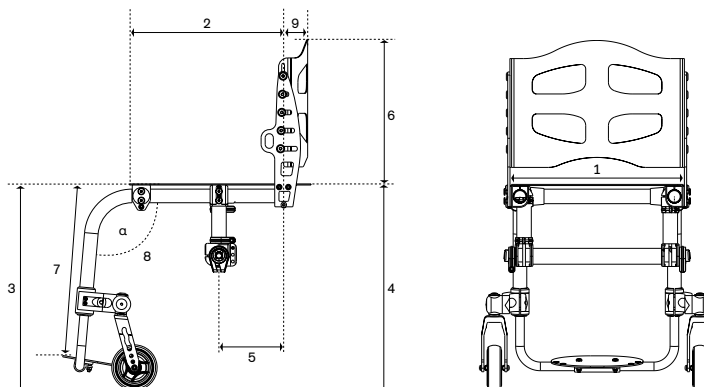
- 1 Seat width (SW)
= distance between the side panels
- 2 Seat depth (SD)
= front of seat upholstery to centre of the lower screw on the back bracket
- 3 Anterior seat height (ASH)
= ground to top of seat upholstery
- 4 Posterior seat height (PSH)
= ground to top of seat upholstery
- 5 Tipping point
= distance between centre of axle and centre of the lower screw of the back bracket
- 6 Back height (BH)
= top of seat tube to top of back upholstery
- 7 Lower leg length (LL)
= top of seat upholstery to top of footplate (without seat cushion)
- 8 Front frame angle
= angle between seat tube and front frame
- 9 Measurement Back (only for MD 13 and MD 14)
= approx. 5 cm distance between centre of the lower screw on the back bracket and the centre of the solid back plate without cushion

* This information will help to support user-oriented settings and product development. Ottobock guarantees the confidential and purely internal use of these data.

Measurements for version with backupholstery



Measurements for version with fixed back



Wheelchair settings (in increments of 1 cm)			
Weight of the user	 kg	
1 Seat width (SW)	 cm (28 ... 46 cm)	
2 Seat depth (SD)	 cm (36 ... 52 cm)	
3 Anterior seat height (ASH)	 cm (44 ... 53 cm)	
4 Posterior seat height (PSH)	 cm (38 ... 48 cm)	
5 Tipping point	 cm (5 ... 10 cm)	
6 Back height (BH)	 cm (20 ... 50 cm)	
7 Lower leg length (LL)	 cm (12 ... 46 cm) without seat cushion	
8 Front frame angle:			
MA 20	<input type="checkbox"/>	75°	-
MA 21	<input type="checkbox"/>	85°	-
MA 05	<input type="checkbox"/>	90°	-
MA 19	<input type="checkbox"/> ° (in 1°-steps; 75° ... 90°)*	AC
* only in combination with MA 08			

Design			
Connectors			
MA	<input type="checkbox"/>	Aluminium	-
MA 28	<input type="checkbox"/>	Magnesium (load capacity 100 kg)	MP
Frame tube			
MA 08	<input type="checkbox"/>	Aluminium	-
MA 12	<input type="checkbox"/>	Carbon (available only with 85° front frame angle and 2 cm offset)	AC
MA 24	<input type="checkbox"/>	Titanium (available only with 75° and 85° front frame angle and up to 2 cm offset)	AC

Axle			
MA 09	<input type="checkbox"/>	Aluminium	-
MA 13	<input type="checkbox"/>	Carbon	AC
MA 25	<input type="checkbox"/>	Titanium	AC
Stabilizer			
MA 10	<input type="checkbox"/>	Aluminium	-
MA 17	<input type="checkbox"/>	Carbon	AC
MA 26	<input type="checkbox"/>	Titanium	AC
Seat height spacer			
MA 11	<input type="checkbox"/>	Aluminium	-
MA 18	<input type="checkbox"/>	Carbon	AC
MA 27	<input type="checkbox"/>	Titanium	AC
Abduction/offset			
MA 14	<input type="checkbox"/>	0 cm, offset	
MA 15	<input type="checkbox"/>	2 cm, offset	
MA 16	<input type="checkbox"/>	4 cm, offset	
MA 30	<input type="checkbox"/>	2 cm, abduction	
MA 31	<input type="checkbox"/>	4 cm, abduction	
Frame accessories			
MA 51	<input type="checkbox"/>	Tip-assist, right	AC
MA 52	<input type="checkbox"/>	Tip-assist, left	AC
MA 55	<input type="checkbox"/>	Anti-tipper, right	AC
MA 56	<input type="checkbox"/>	Anti-tipper, left	AC
Frame options			
MA 23	<input type="checkbox"/>	Front frame extension (approx. 4 cm)	AC
MA 91	<input type="checkbox"/>	Back frame extension	<input type="checkbox"/> 5 cm <input type="checkbox"/> 10 cm AC
Caster wheels (dimensions in mm)			
MF 01	<input type="checkbox"/>	3" skater caster, hard	(70 × 25) -
MF 11	<input type="checkbox"/>	3" luminous caster	(70 × 24) AC
MF 02	<input type="checkbox"/>	4" solid rubber, grey	(100 × 32) -
MF 21	<input type="checkbox"/>	4" luminous caster	(100 × 24) AC
MF 35	<input type="checkbox"/>	4" Froglegs soft caster, aluminium	(100 × 38) AC
MF 03	<input type="checkbox"/>	5" solid rubber, grey	(125 × 32) -
MF 36	<input type="checkbox"/>	5" Froglegs soft caster, aluminium	(125 × 38) AC
Rear wheel size			
MG 01	<input type="checkbox"/>	22"	
MG 02	<input type="checkbox"/>	24"	
MG 03	<input type="checkbox"/>	25"	
Axle with camber			
MG 40	<input type="checkbox"/>	0°	
MG 41	<input type="checkbox"/>	3°	
MG 42	<input type="checkbox"/>	6°	

Rear wheel rim			
MG 06	<input type="checkbox"/>	Hollow rims	-
MG 10	<input type="checkbox"/>	Spinergy SPOX (cannot be combined with MG 01)	AC
MG 11	<input type="checkbox"/>	Spinergy LX (cannot be combined with MG 01)	AC
MG 14	<input type="checkbox"/>	Mountain bike wheel (24", Schwalbe Landcruiser tyre, silver anodised push ring, spoke protector not available)	AC
MG 15	<input type="checkbox"/>	Infinity Ultralight	AC

Tyres			
MG 31	<input type="checkbox"/>	Schwalbe RightRun, 1"	-
MG 33	<input type="checkbox"/>	Schwalbe DownTown 1" (available only in combination with MG 02)	AC
MG 36	<input type="checkbox"/>	Schwalbe Airborne (only in combination with MG 02)	AC
MG 37	<input type="checkbox"/>	Schwalbe Marathon Plus Evolution 1"	AC

Push rings			
MG 52	<input type="checkbox"/>	Aluminium, silver anodised, high	-
MG 53	<input type="checkbox"/>	Aluminium, silver anodised, low	AC
MG 54	<input type="checkbox"/>	Rubber-coated, high	AC
MG 56	<input type="checkbox"/>	Stainless steel, polished, high	AC
MG 57	<input type="checkbox"/>	Stainless steel, polished, low	AC
MG 58	<input type="checkbox"/>	Titanium, polished, high	AC
MG 61	<input type="checkbox"/>	The Surge	AC
MG 62	<input type="checkbox"/>	MaxGrepp Original	AC
MG 63	<input type="checkbox"/>	Curve L	AC
MG 64	<input type="checkbox"/>	Curve L Grip	AC
MX 27	<input type="checkbox"/>	Natural fit, regular grip	AC

Push ring mounting			
MG 70	<input type="checkbox"/>	Narrow mounting position	
MG 71	<input type="checkbox"/>	Wide mounting position	

Rear wheel accessories			
MG 87	<input type="checkbox"/>	High-pressure air pump, 14 bar	AC
MG 90	<input type="checkbox"/>	Spoke protector, transparent	AC

Wheel locks			
MH 01	<input type="checkbox"/>	Knee lever wheel lock, standard	-
MH 05	<input type="checkbox"/>	Scissor wheel lock Outfront	AC
MH 13	<input type="checkbox"/>	Wheel lock, long lever	AC
MH 02	<input type="checkbox"/>	Wheel lock, short lever	AC
MH 21	<input type="checkbox"/>	Wheel lock, long lever, fold-away	AC
MH 22	<input type="checkbox"/>	Wheel lock, short lever, fold-away	AC

Back system			
MD 11	<input type="checkbox"/>	Back, foldable onto the seat surface	AC
MD 12	<input type="checkbox"/>	Fixed back	-

9 Back upholstery			
MD 13	<input type="checkbox"/>	Solid back plate, aluminium, padded	-
MD 14	<input type="checkbox"/>	Solid back plate, carbon, padded	AC
MD 03	<input type="checkbox"/>	Adaptable, padded	AC
MD 05	<input type="checkbox"/>	Adaptable, high-frequency welded,	AC
MD 72	<input type="checkbox"/>	Adaptable, breathable with spacer fabric	AC

Push handles (optional)			
MD 50	<input type="checkbox"/>	Short	AC
MD 51	<input type="checkbox"/>	Long	AC
MD 52	<input type="checkbox"/>	Telescoping, long (with MD 03 from RH 26)	AC
MD 53	<input type="checkbox"/>	Telescoping, short (with MD 03 from BH 26)	AC
MD 56	<input type="checkbox"/>	Fold-down (with MD 03 from BH 26 cm)	AC
MD 59	<input type="checkbox"/>	Without	-

Side panels			
	<input type="checkbox"/>	Without	-
ME 01	<input type="checkbox"/>	Standard, aluminium	-
ME 12	<input type="checkbox"/>	Standard, carbon	AC
ME 14	<input type="checkbox"/>	Carbon clothing protector side panel, assembled* (not available in combination with MG 14)	AC
ME 16	<input type="checkbox"/>	Carbon clothing protector side panel, not assembled	AC

*Remaining centre of gravity adjustment possibilities are limited

Side panel accessories (available only in combination with ME 01)			
ME 13	<input type="checkbox"/>	ABS clothing protector, assembled* (not available in combination with MG 14)	AC
ME 15	<input type="checkbox"/>	ABS clothing protector, not assembled	AC

*Remaining centre of gravity adjustment possibilities are limited

Armrest			
ME 50	<input type="checkbox"/>	Padded, swing-away, different height setting options	AC

Seat upholstery			
MC 14	<input type="checkbox"/>	Upholstery, adaptable	AC
MC 19	<input type="checkbox"/>	Solid seat plate, aluminium	-
MC 27	<input type="checkbox"/>	Solid seat plate, carbon	AC

Seat cushion			
MC 01	<input type="checkbox"/>	Standard <input type="checkbox"/> 3 cm <input type="checkbox"/> 5 cm	AC
MC 08	<input type="checkbox"/>	Without	-

Footrests			
MB 03	<input type="checkbox"/>	Single-panel footrest, angle-adjustable, aluminium footplate* (LL 30–46 cm)	AC
MB 02	<input type="checkbox"/>	Single-panel footrest, angle-adjustable, carbon footplate* (LL 30–46 cm)	AC
MB 12	<input type="checkbox"/>	Single-panel footrest, angle-/depth-adjustable, aluminium footplate* (LL 12–43 cm)	AC
MB 13	<input type="checkbox"/>	Single-panel footrest, angle-/depth-adjustable, carbon footplate* (LL 12–43 cm)	AC
MB 06	<input type="checkbox"/>	Aluminium light, fixed* (LL 30–46 cm)	-

* LL can be selected in dependence of wheel size, seat width and anterior seat height.

Footrest accessories			
MB 71	<input type="checkbox"/>	Leg fixation (calf strap)	AC
MB 74	<input type="checkbox"/>	Non-slip surface	AC

Frame colours (only in combination with MA 08)			
039	<input type="checkbox"/>	Black, matte anodised	-
040	<input type="checkbox"/>	Anthracite, matte anodised	AC
041	<input type="checkbox"/>	Gold, matte anodised	AC
042	<input type="checkbox"/>	Blue, matte anodised	AC
043	<input type="checkbox"/>	Orange, matte anodised	AC
044	<input type="checkbox"/>	Green, matte anodised	AC
045	<input type="checkbox"/>	Violet, matte anodised	AC
046	<input type="checkbox"/>	Red, matte anodised	AC

Special accessories			
MZ 52	<input type="checkbox"/>	Tool kit	AC
MZ 58	<input type="checkbox"/>	Rear wheel bag	AC
MZ 59	<input type="checkbox"/>	Pocket for mobile phone	AC
MZ 90	<input type="checkbox"/>	Tire-A-Light, red	AC
MZ 91	<input type="checkbox"/>	Tire-A-Light, blue	AC
MZ 92	<input type="checkbox"/>	WheelBlades	AC
MZ 93	<input type="checkbox"/>	Wheelchair backpack	AC
MZ 94	<input type="checkbox"/>	Bag for catheter	AC

Information



MH 05 Scissor wheel lock
outfront



MD 53 Push handles,
telescoping, short



MD 56 fold-down push han-
dles at fixed back
(solid back plate alu-
minium)



MB 06 footrest aluminium
light, fixed



MB 03 Single-panel footrest,
angle-adjustable, alu-
minium footplate



MB 13 Single-panel foot-
rest, angle-/depth-
adjustable, carbon
footplate

Clear width Evo footplate (MB 12 and MB 13)					
	abduction [cm]			offset [cm]	
seat width [cm]	0	2	4	2	4
28	-	-	-	18,8	22,8
29	15,8	-	-	19,8	23,8
30	16,8	-	-	20,8	24,8
31	17,8	-	-	21,8	25,8
32	18,8	-	-	22,8	26,8
33	19,8	15,8	-	23,8	27,8
34	20,8	16,8	-	24,8	28,8
35	21,8	17,8	-	25,8	29,8
36	22,8	18,8	-	26,8	30,8
37	23,8	19,8	15,8	27,8	31,8
38	24,8	20,8	16,8	28,8	32,8
39	25,8	21,8	17,8	29,8	33,8
40	26,8	22,8	18,8	30,8	34,8
41	27,8	23,8	19,8	31,8	35,8
42	28,8	24,8	20,8	32,8	36,8
43	29,8	25,8	21,8	33,8	37,8
44	30,8	26,8	22,8	34,8	38,8
45	31,8	27,8	23,8	35,8	39,8
46	32,8	28,8	24,8	36,8	40,8

