

<p>Base price: EUR x,xxx (including side panels and footrests)</p> <p>All prices in EUR, valid from 1/1/2015 to 31/12/2015</p>	<p>Order no.:</p> <p>-----</p>
---	--------------------------------

Ventus

Rigid frame adaptive wheelchair

Article number: 480A25=00000_K



<input type="checkbox"/> Provide estimate only		<input type="checkbox"/> Order	
Billing address/customer number			
Delivery address			
Sales person		Name	
		
		Date	Signature

Standard equipment

- Aluminium tube frame
- Rigid axle
- Footplate with different angle and height setting options
- Nylon seat and back upholstery, black
- Backrest, fold-away/angle-adjustable
- Aluminium side panels
- Wheel camber selectable in 3° increments
- Hollow rims with high-pressure tyres
- Knee lever wheel lock

Load capacity:

SW 28 cm – 44 cm: 100 kg/220 lbs
SW 46 cm – 50 cm: 140 kg/308 lbs

Use of add-on drives (Include order form; model-specific restrictions are possible)	<input type="checkbox"/> z50, add-on electric drive with joystick control, 12.9 Ah	<input type="checkbox"/> z50, add-on electric drive with joystick control, 17.5 Ah
	MZ 02	MZ 03

Seat measurements in cm									
Seat width SW*	<input type="checkbox"/> 28	<input type="checkbox"/> 30	<input type="checkbox"/> 32	<input type="checkbox"/> 34	<input type="checkbox"/> 36	<input type="checkbox"/> 38	<input type="checkbox"/> 40	<input type="checkbox"/> 42	<input type="checkbox"/> 44
	<input type="checkbox"/> 46	<input type="checkbox"/> 48	<input type="checkbox"/> 50						
Seat depth SD	<input type="checkbox"/> 30	<input type="checkbox"/> 32	<input type="checkbox"/> 34	<input type="checkbox"/> 36	<input type="checkbox"/> 38	<input type="checkbox"/> 40	<input type="checkbox"/> 42	<input type="checkbox"/> 44	<input type="checkbox"/> 46
	<input type="checkbox"/> 48	<input type="checkbox"/> 50							

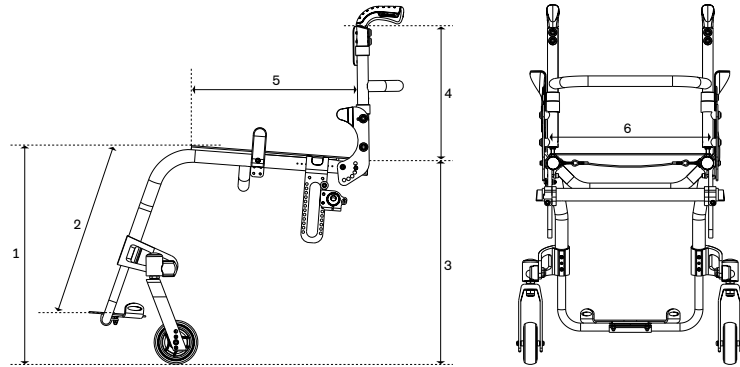
* SW Ventus = distance between side panels

Seat height measurements in cm								
Anterior seat height (ASH)	<input type="checkbox"/> 40	<input type="checkbox"/> 41	<input type="checkbox"/> 42	<input type="checkbox"/> 43	<input type="checkbox"/> 44	<input type="checkbox"/> 45	<input type="checkbox"/> 46	<input type="checkbox"/> 47
	<input type="checkbox"/> 48	<input type="checkbox"/> 49	<input type="checkbox"/> 50	<input type="checkbox"/> 51	<input type="checkbox"/> 52	<input type="checkbox"/> 53	<input type="checkbox"/> 54	

Information

Wheelchair measurements*

- 1 Anterior seat height (ASH)
= ground to top of seat upholstery
- 2 Lower leg length (LL)
= top of seat upholstery to top of footplate
(without seat cushion)
- 3 Posterior seat height (PSH)
= ground to top of seat upholstery
- 4 Back height (BH)
= top of seat tube (crossbrace) to top of back upholstery
- 5 Seat depth (SD)
= front of seat upholstery to back tube
- 6 Seat width (SW)
= outside edge of frame tube to outside edge of frame tube



* This information will help to support user-oriented settings and product development. Ottobock guarantees the confidential and purely internal use of these data.

Increase in overall width because of the wheel camber setting of the rear wheels (in cm) Lower leg length (in cm)

Wheel camber	22" rear wheel	24" rear wheel	25" rear wheel
3°	< 6	6	> 6
6°	< 12	12	> 12
9°	< 18	18	> 18

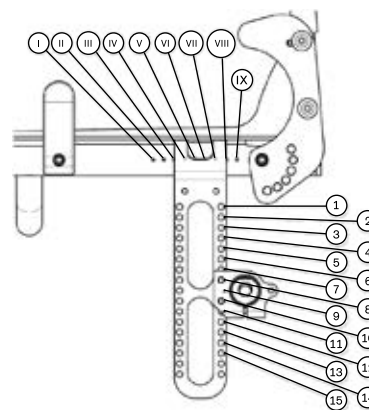
Measured from top of seat upholstery to top of footrest	
Short lower leg length	32 – 39 cm
LL	39 – 50 cm

Seat height table

Posterior seat height¹⁾ in cm

Rear wheel size	Axle with camber	Slider	
		Medium	Long
22"	0°/3°	35 – 44	35 – 49
	6°	34 – 43	34 – 48
	9°	33 – 42	33 – 47
24"	0°/3°	38 – 46	38 – 52
	6°	37 – 46	37 – 51
	9°	36 – 45	36 – 50
25"	0°/3°	39 – 48	39 – 53
	6°	38 – 47	38 – 52
	9°	37 – 46	37 – 51

Rear wheel position (centre of gravity)



1) The anterior seat height depends on the selected wheel size, caster fork and mounting position. Specified at 0° seat inclination, without seat cushion.

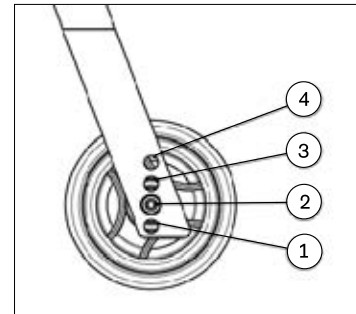
Seat height measurements in cm			
Posterior seat height (PSH)	<input type="checkbox"/>	33	
	<input type="checkbox"/>	34	
	<input type="checkbox"/>	35	
	<input type="checkbox"/>	36	
	<input type="checkbox"/>	37	
	<input type="checkbox"/>	38	
	<input type="checkbox"/>	39	
	<input type="checkbox"/>	40	
	<input type="checkbox"/>	41	
	<input type="checkbox"/>	42	
	<input type="checkbox"/>	43	
	<input type="checkbox"/>	44	
	<input type="checkbox"/>	45	
	<input type="checkbox"/>	46	
	<input type="checkbox"/>	47	
	<input type="checkbox"/>	48	
	<input type="checkbox"/>	49	
	<input type="checkbox"/>	50	
	<input type="checkbox"/>	51	
	<input type="checkbox"/>	52	
	<input type="checkbox"/>	53	
Front frame angle			
MA 20	<input type="checkbox"/>	75°	-
MA 21	<input type="checkbox"/>	85°	-
Abduction/offset			
MA 06	<input type="checkbox"/>	4 cm, abduction (seat widths up to 36 cm)	-
MA 14	<input type="checkbox"/>	0 cm, offset	-
MA 15	<input type="checkbox"/>	2 cm, offset	-
MA 16	<input type="checkbox"/>	4 cm, offset	-
Frame accessories			
MA 51	<input type="checkbox"/>	Tip-assist, right	Add. charge
MA 52	<input type="checkbox"/>	Tip-assist, left	Add. charge
MA 55	<input type="checkbox"/>	Anti-tipper, right	Add. charge
MA 56	<input type="checkbox"/>	Anti-tipper, left	Add. charge
MA 60	<input type="checkbox"/>	Frame pad	Add. charge
Caster wheels (dimensions in mm)			
MF 01	<input type="checkbox"/>	3" skater caster, hard	(70 × 25) -
MF 11	<input type="checkbox"/>	3" luminous caster	(70 × 24) Add. charge
MF 02	<input type="checkbox"/>	4" solid rubber, grey	(100 × 32) -
MF 21	<input type="checkbox"/>	4" luminous caster	(100 × 24) Add. charge
MF 35	<input type="checkbox"/>	4" froglegs soft caster, aluminium	(100 × 38) Add. charge
MF 03	<input type="checkbox"/>	5" solid rubber, grey	(125 × 32) -
MF 36	<input type="checkbox"/>	5" froglegs soft caster, aluminium	(125 × 38) Add. charge
MF 04	<input type="checkbox"/>	5.5" soft caster, grey	(140 × 40) -
MF 05	<input type="checkbox"/>	6" pneumatic, grey	(150 × 30) -
MF 06	<input type="checkbox"/>	6" solid rubber, grey	(155 × 33) -
MF 37	<input type="checkbox"/>	6" froglegs soft caster, aluminium	(150 × 38) Add. charge
Caster forks			
MF 90	<input type="checkbox"/>	Caster forks, standard	-
MF 94	<input type="checkbox"/>	Design caster forks	Add. charge
MX 30	<input type="checkbox"/>	Froglegs, suspension caster forks	Add. charge
Length of fork			
MF 80	<input type="checkbox"/>	Long	-
MF 81	<input type="checkbox"/>	Short	-
MF 82	<input type="checkbox"/>	Extra short	-
Rear wheel size			
MG 01	<input type="checkbox"/>	22"	-
MG 02	<input type="checkbox"/>	24"	-
MG 00	<input type="checkbox"/>	25"	-

Information

Seat height table

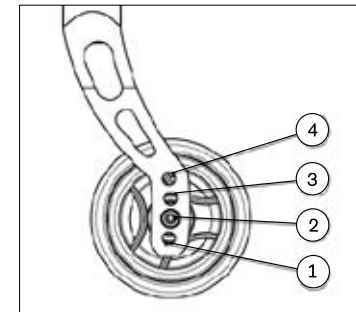
Anterior seat height (in cm)

Caster wheel size	Caster fork, standard		
	Extra short	Short	Long
3"	40 – 42	45 – 46	48 – 50
4"	42 – 44	45 – 48	49 – 51
5"	–	45 – 49	49 – 53
5.5"	–	47 – 49	50 – 53
6"	–	47 – 49	50 – 53



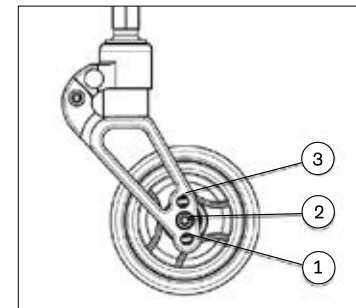
Caster fork, standard

Caster wheel size	Caster fork, design		
	Extra short	Short	Long
3"	40 – 42	46 – 47	50 – 51
4"	42	46 – 49	50 – 53
5"	–	46 – 50	50 – 53
5.5"	–	48 – 51	51 – 54
6"	–	50 – 51	51 – 54



Caster fork, design

Caster wheel size	Caster fork, froglegs	
	Short	Long
3"	48 – 49	50 – 51
4"	48 – 50	50 – 52
5"	50 – 51	52 – 53
6"	51 – 52	53 – 54



Caster fork, froglegs

The values indicated are theoretically determined values. Max. deviation of 1 cm. The anterior seat height depends on the selected wheel size, caster fork and mounting position. Please refer to the seat height table! Specified without seat cushion at 0° seat inclination.

Rear wheel position (centre of gravity)				
<input type="checkbox"/> I	<input type="checkbox"/> II	<input type="checkbox"/> III	<input type="checkbox"/> IV	<input type="checkbox"/> V
<input type="checkbox"/> X	<input type="checkbox"/> XI	<input type="checkbox"/> XII	<input type="checkbox"/> XIII (only in combination with wheelbase extension)	

Axle with camber				
MG 40	<input type="checkbox"/>	0°		-
MG 41	<input type="checkbox"/>	3°		-
MG 42	<input type="checkbox"/>	6°		-
MG 43	<input type="checkbox"/>	9°		-

Rear wheel rim				22"	24"	25"	
MG 06	<input type="checkbox"/>	Hollow rim		•	•	•	-
MG 10	<input type="checkbox"/>	Spinergy SPOX			•	•	Add. charge
MG 11	<input type="checkbox"/>	Spinergy LX			•	•	Add. charge
MG 14	<input type="checkbox"/>	Mountain bike, complete wheel, incl. push ring and tyre			•		Add. charge
MG 15	<input type="checkbox"/>	Infinity Ultralight		•	•	•	Add. charge

Tyres				22"	24"	25"	
MG 30	<input type="checkbox"/>	Standard 1 3/8		•	•		-
MG 31	<input type="checkbox"/>	RightRun 1"		•	•	•	-
MG 33	<input type="checkbox"/>	DownTown 1"			•		-
MG 34	<input type="checkbox"/>	PU 1"			•		-
MG 37	<input type="checkbox"/>	Marathon Plus Evolution 1"		•	•	•	Add. charge
MG 38	<input type="checkbox"/>	Puncture-proof			•		Add. charge

Rear wheel attachment device				
MG 76	<input type="checkbox"/>	Medium (max. posterior seat height 47 cm)		-
MG 77	<input type="checkbox"/>	Long (max. posterior seat height 53 cm)		-

Push rings				22"	24"	25"	
MG 52	<input type="checkbox"/>	Aluminium, silver anodised, high		•	•	•	-
MG 53	<input type="checkbox"/>	Aluminium, silver anodised, low		•	•		Add. charge
MG 54	<input type="checkbox"/>	Rubber-coated, high		•	•	•	Add. charge
MG 56	<input type="checkbox"/>	Stainless steel, polished, high		•	•	•	Add. charge
MG 57	<input type="checkbox"/>	Stainless steel, polished, low		•	•		Add. charge
MG 58	<input type="checkbox"/>	Titanium, polished, high		•	•	•	Add. charge
MG 61	<input type="checkbox"/>	The Surge			•	•	Add. charge
MG 62	<input type="checkbox"/>	MaxGrepp Original		•	•	•	Add. charge
MG 63	<input type="checkbox"/>	Curve L			•	•	Add. charge
MG 64	<input type="checkbox"/>	Curve L Grip			•	•	Add. charge
MX 27	<input type="checkbox"/>	Natural fit, regular (wide mounting position only)			•	•	Add. charge

Push ring mounting				22"	24"	25"	
MG 70	<input type="checkbox"/>	Narrow mounting position		•	•	•	-
MG 71	<input type="checkbox"/>	Wide mounting position		•	•	•	-

Wheelbase extension				
MG 85	<input type="checkbox"/>	With second axle		Add. charge
MG 86	<input type="checkbox"/>	Single		Add. charge
MG 46	<input type="checkbox"/>	Without		-

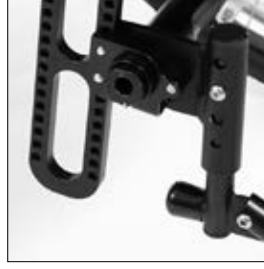
Information



MA 51 Tip-assist, right



MA 56 Anti-tipper, left



MG 76 Rear wheel mount, long (with accessory mount for anti-tipper/ tip-assist)



MG 85 Wheelbase extension with second axle



MH 04 Knee lever wheel lock, enhanced



MH 04 S-type wheel lock



MD 50 Push handle, standard, short



MD 53 Push handle, telescoping, short



ME 02 Clothing protector side panel, aluminium



ME 05 Side panel with armrest, height-adjustable



MB 03 Footrest, single panel, adjustable angle and depth



MB 06 Tube footrest, fixed



MB 73 Lateral heel blocks



MF 90 Caster fork, standard



ME 50 Armrest, padded, height-adjustable, swing-away

Rear wheel accessories			
MG 87	<input type="checkbox"/>	High-pressure air pump, 14 bar	Add. charge
Shock absorber			
MG 97	<input type="checkbox"/>	“Soft” degree of damping (up to 60 kg)	Add. charge
MG 98	<input type="checkbox"/>	“Medium” degree of damping (61 kg to 100 kg)	Add. charge
MG 99	<input type="checkbox"/>	“Hard” degree of damping (101 kg to 140 kg)	Add. charge
Wheel locks			
MH 01	<input type="checkbox"/>	Knee lever wheel lock	-
MH 13	<input type="checkbox"/>	Knee lever wheel lock, enhanced	Add. charge
MH 05	<input type="checkbox"/>	Scissor wheel lock	Add. charge
Wheel lock accessories			
MH 10	<input type="checkbox"/>	Wheel lock lever extension	Add. charge
Back height in cm			
<input type="checkbox"/> 30 <input type="checkbox"/> 32.5 <input type="checkbox"/> 35 <input type="checkbox"/> 37.5 <input type="checkbox"/> 40 <input type="checkbox"/> 42.5 <input type="checkbox"/> 45 <input type="checkbox"/> 47.5 <input type="checkbox"/> 50			
Back system			
MD 10	<input type="checkbox"/>	Straight back tube, foldable onto the seat surface	-
MD 12	<input type="checkbox"/>	Straight back tube, fixed	Add. charge
Back upholstery			
MD 04	<input type="checkbox"/>	Upholstery, standard	-
MD 03	<input type="checkbox"/>	Upholstery, adaptable, padded	Add. charge
MD 25	<input type="checkbox"/>	Adaptable/height-adjustable upholstery including push handles, long (adjustment range = 10 cm)	Add. charge
MD 26	<input type="checkbox"/>	Adaptable/height-adjustable upholstery including push handles, short (adjustment range = 10 cm)	Add. charge
MD 40	<input type="checkbox"/>	Fixed back plate	Add. charge
MD 32	<input type="checkbox"/>	Backster Angle adjustment <input type="checkbox"/> 0° <input type="checkbox"/> 5° <input type="checkbox"/> 10° <input type="checkbox"/> 15°	Add. charge
Backster accessories			
MD 37	<input type="checkbox"/>	Fixed support, large, right	Add. charge
MD 33	<input type="checkbox"/>	Fixed support, large, left	Add. charge
MD 38	<input type="checkbox"/>	Fixed support, small, right	Add. charge
MD 34	<input type="checkbox"/>	Fixed support, small, left	Add. charge
MD 39	<input type="checkbox"/>	Swing-away support, right	Add. charge
MD 35	<input type="checkbox"/>	Swing-away support, left	Add. charge
MD 36	<input type="checkbox"/>	Lateral/lumbar pad set	Add. charge
MD 49	<input type="checkbox"/>	Back extension	Add. charge
Push handles			
MD 50	<input type="checkbox"/>	Standard, short	-
MD 51	<input type="checkbox"/>	Standard, long	-
MD 53	<input type="checkbox"/>	Telescoping, short	Add. charge
MD 52	<input type="checkbox"/>	Telescoping, long	Add. charge
MD 55	<input type="checkbox"/>	Height-adjustable/removable	Add. charge
MD 56	<input type="checkbox"/>	Folding	Add. charge
MD 59	<input type="checkbox"/>	Without	-

Side panels		
ME 01	<input type="checkbox"/>	Side panel, aluminium -
ME 02	<input type="checkbox"/>	Clothing protector, aluminium Add. charge
ME 03	<input type="checkbox"/>	Plastic clothing protector with different setting options Add. charge
ME 04	<input type="checkbox"/>	Carbon clothing protector with different setting options Add. charge
ME 05	<input type="checkbox"/>	Side panel with armrest, height-adjustable Add. charge

Side panel accessories		
ME 50	<input type="checkbox"/>	Armrest, padded, swing-away, different height setting options Add. charge
ME 51	<input type="checkbox"/>	Neoprene insert for clothing protector Add. charge
ME 61	<input type="checkbox"/>	Swivel unit for channel forearm pads, for mounting on right side Add. charge
ME 62	<input type="checkbox"/>	Swivel unit for channel forearm pads, for mounting on left side Add. charge

Seat upholstery		
MC 13	<input type="checkbox"/>	Upholstery, standard -
MC 14	<input type="checkbox"/>	Upholstery, adaptable Add. charge
MC 19	<input type="checkbox"/>	Fixed seat plate Add. charge

Seat cushion		
MC 01	<input type="checkbox"/>	Seat cushion, standard <input type="checkbox"/> 3 cm <input type="checkbox"/> 5 cm Add. charge
MC 02	<input type="checkbox"/>	Cubic Foam seat cushion (thickness 5 cm, up to 150 kg/330 lbs) Add. charge
MC 03	<input type="checkbox"/>	Combi Foam seat cushion (thickness 5 cm, up to 150 kg/330 lbs) Add. charge
MC 04	<input type="checkbox"/>	Combi ^{3S} seat cushion (thickness 6.5 cm, up to 100 kg/220 lbs) Add. charge
MC 05	<input type="checkbox"/>	Evolight seat cushion (thickness 6 cm, up to 125 kg/275 lbs) Add. charge
MC 07	<input type="checkbox"/>	Evolight Pro seat cushion (thickness 10 cm, up to 100 kg/220 lbs) Add. charge
MC 20	<input type="checkbox"/>	Terra seat cushion (thickness 10 cm, up to 140 kg/308 lbs) Add. charge
MC 21	<input type="checkbox"/>	Terra Aquos seat cushion (thickness 10 cm, up to 140 kg/308 lbs) Add. charge
MC 22	<input type="checkbox"/>	Terra Flair seat cushion (thickness 10 cm, up to 140 kg/308 lbs) Add. charge

Lower leg length in cm (without seat cushion)	
Desired setting: _____ (available setting range 20 – 50 cm)	

Footrest bar options		
MB 40	<input type="checkbox"/>	Short (39 – 44 cm) -
MB 42	<input type="checkbox"/>	Long (39 – 49 cm) -

Footrests		
MB 03	<input type="checkbox"/>	Single panel, angle-adjustable -
MB 06	<input type="checkbox"/>	Tube footrest, rigid Add. charge
MB 20	<input type="checkbox"/>	Single-panel footrest, angle-adjustable (for short lower leg length: 20 – 39 cm) Add. charge

Footrest accessories		
MB 71	<input type="checkbox"/>	Leg fixation (calf band) Add. charge
MB 73	<input type="checkbox"/>	Lateral heel blocks Add. charge

Other accessories			
MZ 51	<input type="checkbox"/>	Lap belt with metal buckle	Add. charge
MZ 52	<input type="checkbox"/>	Tool kit	Add. charge
MZ 59	<input type="checkbox"/>	Pocket for mobile phone	Add. charge
MZ 63	<input type="checkbox"/>	Headrest, complete incl. mounting kit, horizontal and vertical (max. load capacity 125 kg)	Add. charge
MZ 61	<input type="checkbox"/>	Mounting kit for headrest, horizontal (max. loading capacity 125 kg)	Add. charge
MZ 62	<input type="checkbox"/>	Mounting kit for headrest, horizontal and vertical (max. load capacity 125 kg)	Add. charge

Spoke protector			
MG 90	<input type="checkbox"/>	Spoke protector, transparent	Add. charge
MG 91	<input type="checkbox"/>	Spoke protector, Eye Catcher decor	Add. charge
MG 92	<input type="checkbox"/>	Spoke protector, Flower Power decor	Add. charge
MG 93	<input type="checkbox"/>	Spoke protector, Clown decor	Add. charge
MG 94	<input type="checkbox"/>	Spoke protector, Fire decor	Add. charge
MG 96	<input type="checkbox"/>	Spoke protector, Gecko decor	Add. charge

Frame colours						
001	<input type="checkbox"/>	Brilliant silver	- 014	<input type="checkbox"/>	Candy red	-
002	<input type="checkbox"/>	Anthracite metallic	- 015	<input type="checkbox"/>	Clear reptile glossy	-
003	<input type="checkbox"/>	Jet black RAL 9005	- 019	<input type="checkbox"/>	White pearl	-
004	<input type="checkbox"/>	Ice blue	- 021	<input type="checkbox"/>	Sparkle granny-smith	-
005	<input type="checkbox"/>	Sparkle light orange	- 028	<input type="checkbox"/>	Rainbow	-
009	<input type="checkbox"/>	Vinho sparkle	- 032	<input type="checkbox"/>	Pure metal blue	Add. charge
010	<input type="checkbox"/>	Marine blue	- 033	<input type="checkbox"/>	Pure metal green	Add. charge
012	<input type="checkbox"/>	Sky blue	- 034	<input type="checkbox"/>	Pure metal bronze	Add. charge
013	<input type="checkbox"/>	Jet black RAL 9005	- 035	<input type="checkbox"/>	Pure metal red	Add. charge

Special accessories			
MZ 58	<input type="checkbox"/>	Bag for rear wheels	Add. charge
MZ 93	<input type="checkbox"/>	Wheelchair backpack	Add. charge
MZ 90	<input type="checkbox"/>	Tire-a-light, red (flashing lights for rear wheel valves)	Add. charge
MZ 91	<input type="checkbox"/>	Tire-a-light, blue (flashing lights for rear wheel valves)	Add. charge
MZ 92	<input type="checkbox"/>	Wheel blades (mini-skier for caster wheels)	Add. charge

Technical data

Overall length (in cm)							
Seat depth	Lower leg length min./max.	22" rear wheel		24" rear wheel		25" rear wheel	
		Front axle position	Rear axle position	Front axle position	Rear axle position	Front axle position	Rear axle position
30	17	59	67	61.5	69.5	62.5	70.5
	50	66.5	74.5	69	77	70	78
32	17	61	69	63.5	71.5	64.5	72.5
	50	68.5	76.5	71	79	72	80
34	17	63	71	65.5	73.5	66.5	74.5
	50	70.5	78.5	73	81	74	82
36	17	65	73	67.5	75.5	68.5	76.5
	50	72.5	80.5	75	83	76	84
38	17	67	75	69.5	77.5	70.5	78.5
	50	74.5	82.5	77	85	78	86
40	17	69	77	71.5	79.5	72.5	80.5
	50	76.5	84.5	79	87	80	88
42	17	71	79	73.5	81.5	74.5	82.5
	50	78.5	86.5	81	89	82	90
44	17	73	81	75.5	83.5	76.5	84.5
	50	80.5	88.5	83	91	84	92
46	17	75	83	77.5	85.5	78.5	86.5
	50	82.5	90.5	85	93	86	94
48	17	77	85	79.5	87.5	80.5	88.5
	50	84.5	92.5	87	95	88	96
50	17	79	87	81.5	89.5	82.5	90.5
	50	86.5	94.5	89	97	90	98

With wheelbase extension – rear axle position + 8 cm

Overall width with rear wheel with hollow rim	
28	45
30	47
32	49
34	51
36	53
38	55
40	57
42	59
44	61